



Product/Process Change Notice (PCN)

- Major Change
 Minor Change

PCN Number: PCN_IndCMBNC_20250610

Affected Series: WE-CMBNC

Affected Part Number: 744803033301, 7448030417, 7448030509

PCN Date: 2025-03-10 (YYYY-MM-DD)

Effective Date: 2025-06-10 (YYYY-MM-DD)

Change Category:

- Equipment/Location
 General Data
 Material
 Process
 Product Design
 Shipping/Packaging
 Supplier
 Software

Contact: Product Management

Phone: +49 (0) 7942 - 945 5001

Fax: +49 (0) 7942 - 945 5179

E-Mail: pcn.eisos@we-online.com

Datasheet Change:

Yes No

Attachment:

Yes No

DESCRIPTION OF CHANGE:

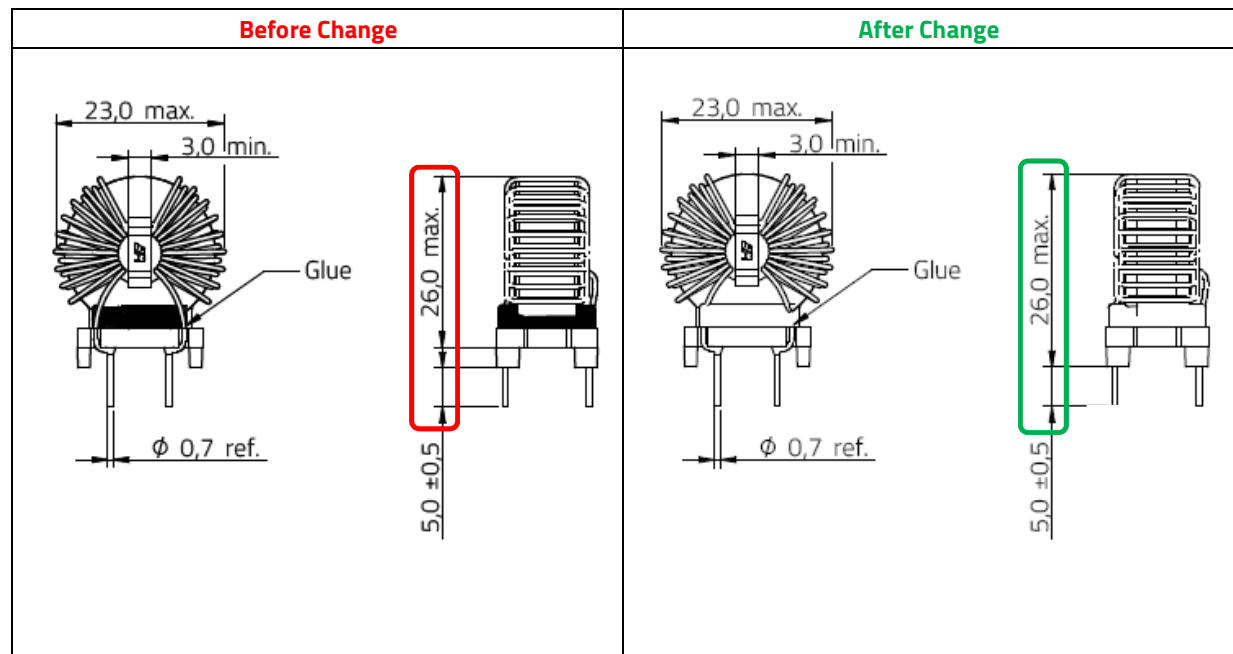
Because of a database mismatch, Würth Elektronik eiSos will correct the specified height of the affected part numbers.

There will be no change in form, fit, function, quality or reliability of the product.

The preliminary datasheets of the affected part numbers will be available on the website after the PCN date.

Link to the website: [WE-CMBNC - Size M](#)

DETAILS OF CHANGE:



RELIABILITY / QUALIFICATION OF CHANGE:

There will be no change of the product, therefore no additional reliability or qualification testing was performed.