



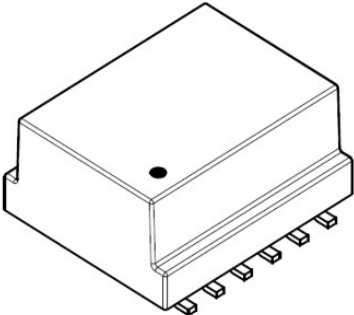
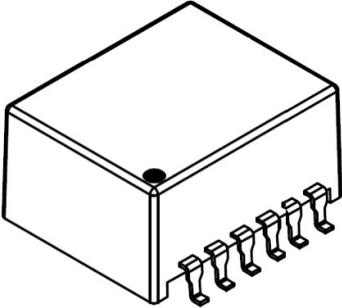
## Product / Process Change Notification (PCN)

- Major Change  
 Minor Change

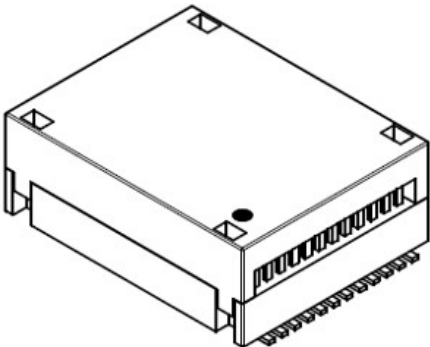
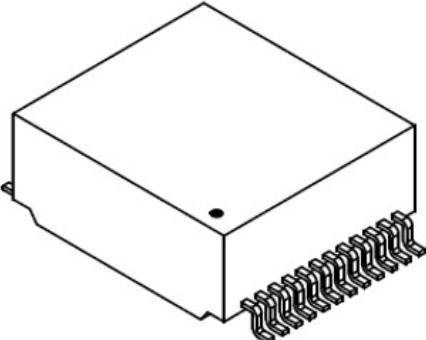
<b>PCN Number:</b> PCN_UtLAN_20240902  <b>Affected Series:</b> WE-LAN  <b>Affected Order Codes:</b> 749012013, 749020015, 7490100111, 749022011  <b>PCN Date:</b> 2024-06-02 (YYYY-MM-DD) <b>Effective Date:</b> 2024-09-02 (YYYY-MM-DD)	<b>Change Category:</b> <input checked="" type="checkbox"/> Equipment/Location <input checked="" type="checkbox"/> General Data <input checked="" type="checkbox"/> Material <input type="checkbox"/> Process <input checked="" type="checkbox"/> Product Design <input checked="" type="checkbox"/> Shipping / Packaging <input type="checkbox"/> Supplier <input type="checkbox"/> Software				
<b>Contact:</b> Product Management <b>Phone:</b> +49 (0) 7942 - 945 5001 <b>Fax:</b> +49 (0) 7942 - 945 5179 <b>E-Mail:</b> pcn.eisos@we-online.com	<b>Datasheet Change:</b> <input checked="" type="checkbox"/> Yes <input type="checkbox"/> No  <b>Attachment:</b> <input type="checkbox"/> Yes <input checked="" type="checkbox"/> No				
<b>Description of Change:</b> Due to internal standardisation, Würth Elektronik eiSos will move the production to new production line. The packaging as well as product marking will be changed, the datasheet will be corrected. There will be no change in fit, function, quality or reliability of the product. The new revision of the affected order codes will be sent out after the previous revision is out of stock (according to FIFO - first-in, first-out).					
<b>Details of Change:</b>  1. <b><u>The production lines can be identified by the first three digits of the lot number:</u></b> <table border="1" style="width: 100%; text-align: center;"> <thead> <tr> <th style="color: red;">Before change</th> <th style="color: green;">After change</th> </tr> </thead> <tbody> <tr> <td>Lot number starting with 223 Country of origin on Delivery Note: China</td> <td>Lot number starting with 424 Country of origin on Delivery Note: China</td> </tr> </tbody> </table>		Before change	After change	Lot number starting with 223 Country of origin on Delivery Note: China	Lot number starting with 424 Country of origin on Delivery Note: China
Before change	After change				
Lot number starting with 223 Country of origin on Delivery Note: China	Lot number starting with 424 Country of origin on Delivery Note: China				

**2. Housing type change :**

**Affected order code: 749012013.**

Before change	After change
 <p data-bbox="379 929 560 958"><b>L-form housing</b></p>	 <p data-bbox="981 936 1193 965"><b>Gull-wing housing</b></p>

**Affected order code: 749020015.**

Before change	After change
 <p data-bbox="379 1534 560 1563"><b>L-form housing</b></p>	 <p data-bbox="981 1534 1193 1563"><b>Gull-wing housing</b></p>



### 3. Packaging change:

#### Affected order code: 749012013

	Before Change	After Change
SPQ:	300 pcs	350 pcs
Carton Quantity:	1200 pcs	1750 pcs
Carton Length:	365 mm	395 mm
Carton Width:	342 mm	395 mm
Carton Height:	253 mm	240 mm

#### Affected order code: 749020015

	Before Change	After Change
Carton Quantity:	3000 pcs	4500 pcs
Carton Length:	365 mm	395 mm
Carton Width:	342 mm	395 mm
Carton Height:	215 mm	240 mm


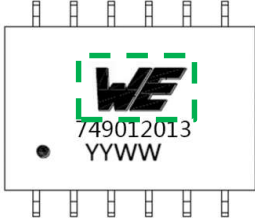
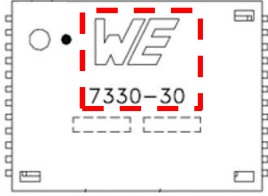

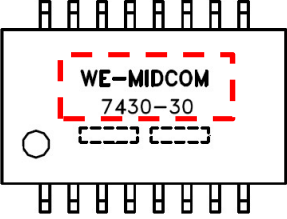



#### Affected order code: 7490100111

	Before Change	After Change
SPQ:	350 pcs	450 pcs
Carton Quantity:	1400 pcs	2700 pcs
Carton Length:	365 mm	395 mm
Carton Width:	342 mm	395 mm
Carton Height:	215 mm	240 mm

#### Affected order code: 749022011

	Before Change	After Change
SPQ:	375 pcs	400 pcs
Carton Quantity:	1500 pcs	2000 pcs
Carton Length:	365 mm	395 mm
Carton Width:	342 mm	395 mm
Carton Height:	253 mm	240 mm

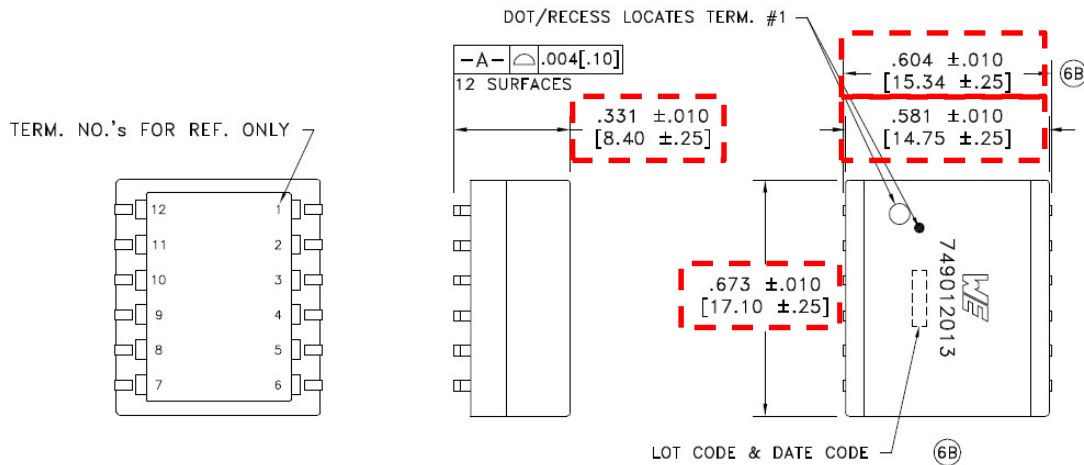
4. **Marking change:**

order code	Before change	After change
749012013		
749020015 (000-7330-30R-LF1)		
7490100111 (000-7430-30R-LF1)		
749022011		

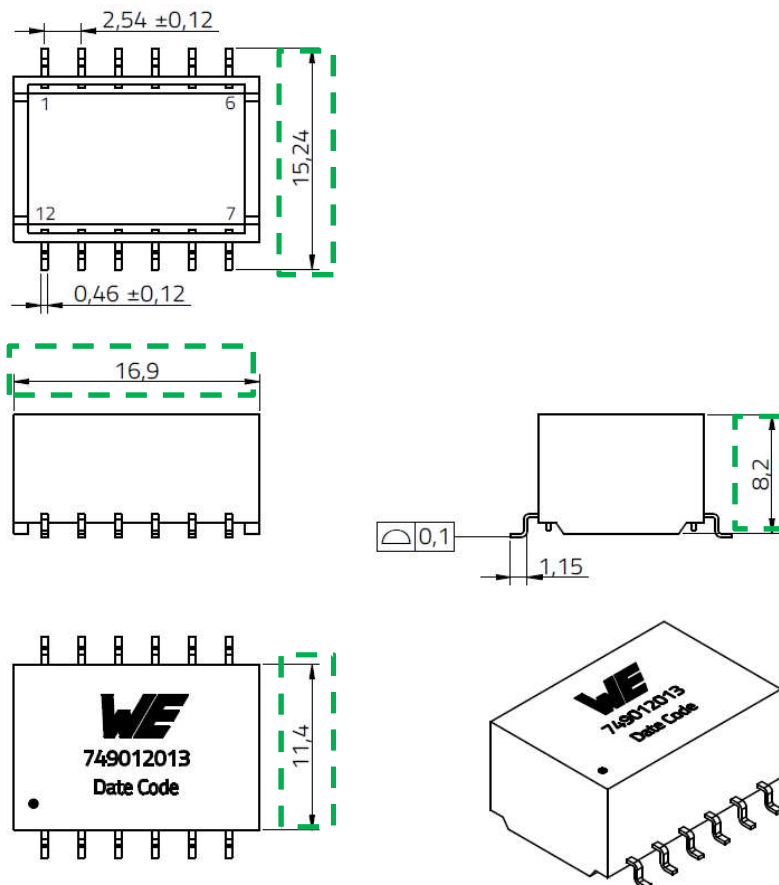
### 5. Datasheet correction:

order code: 749012013

#### Before change:

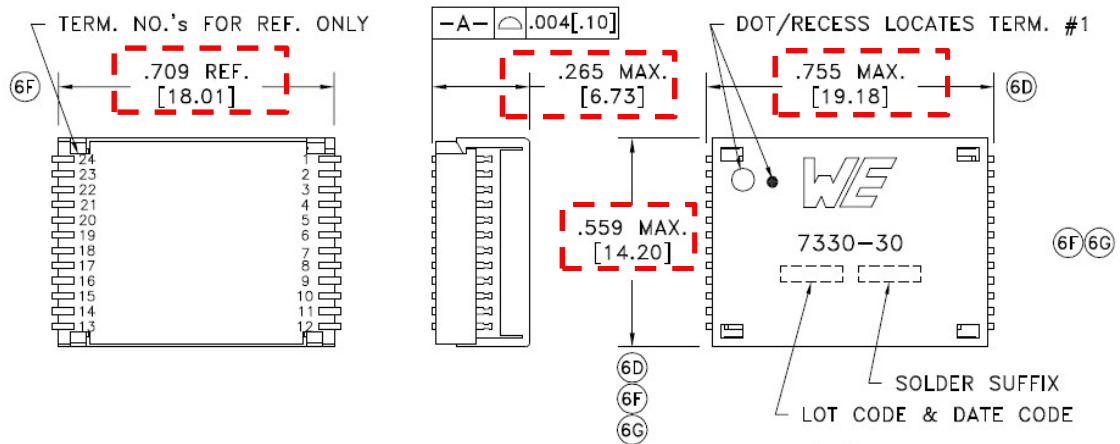


#### After change:

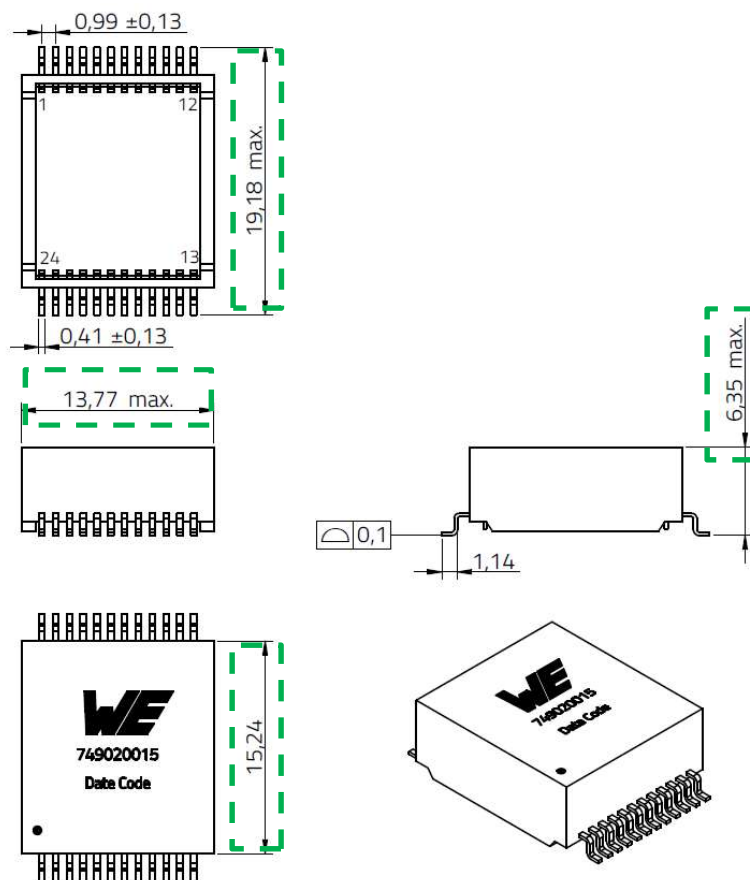


**order code: 749020015**

**Before change:**

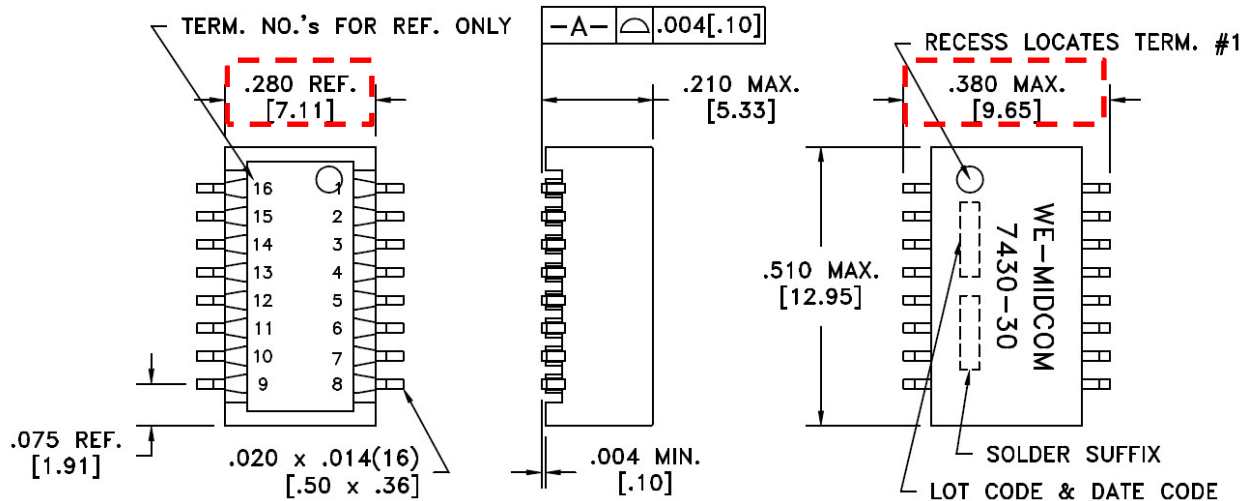


**After change:**

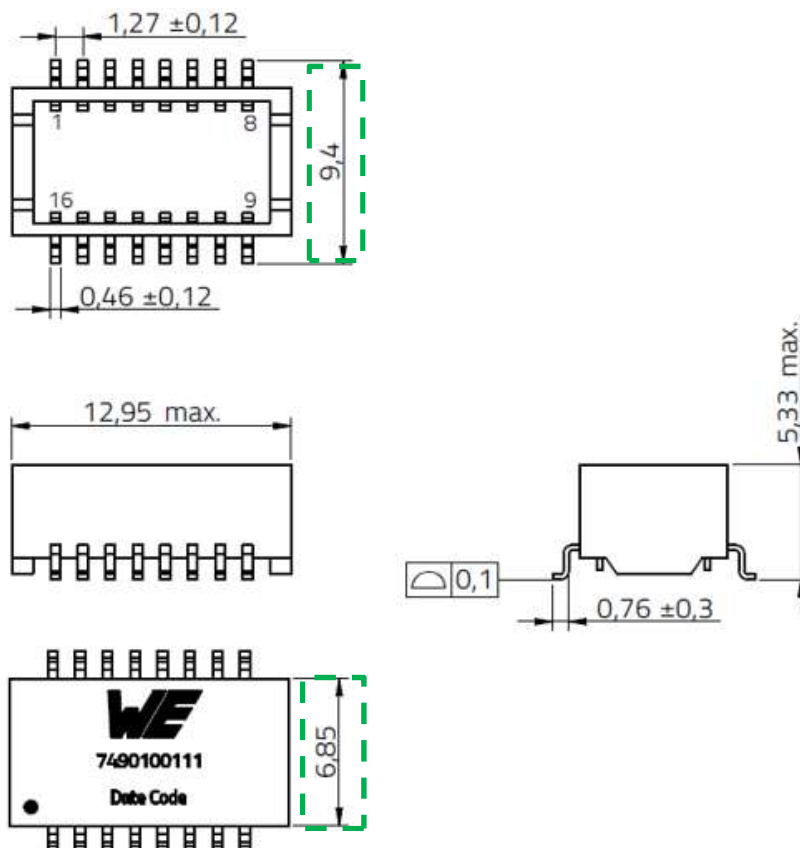


order code: 7490100111

**Before change:**

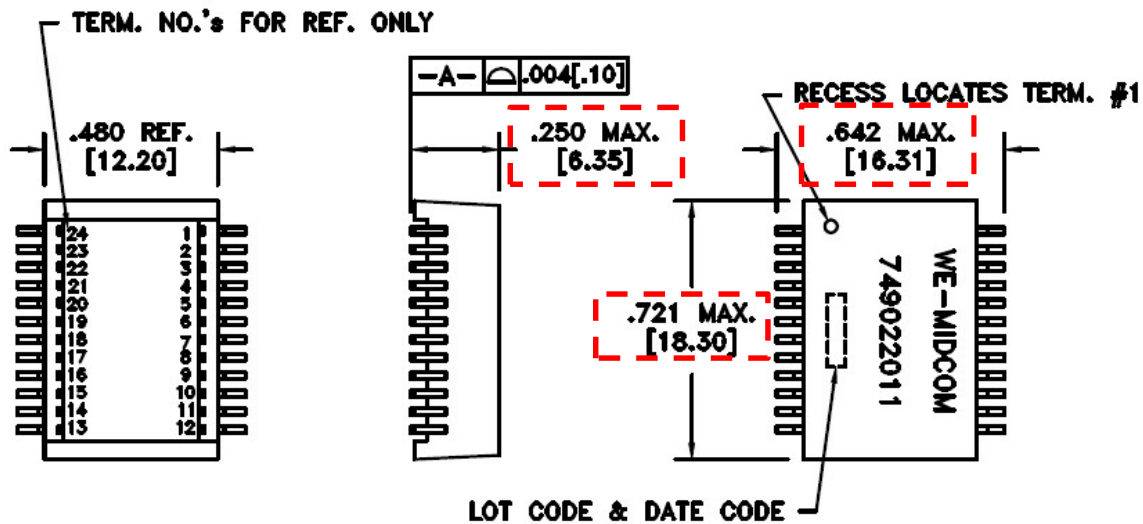


**After change:**

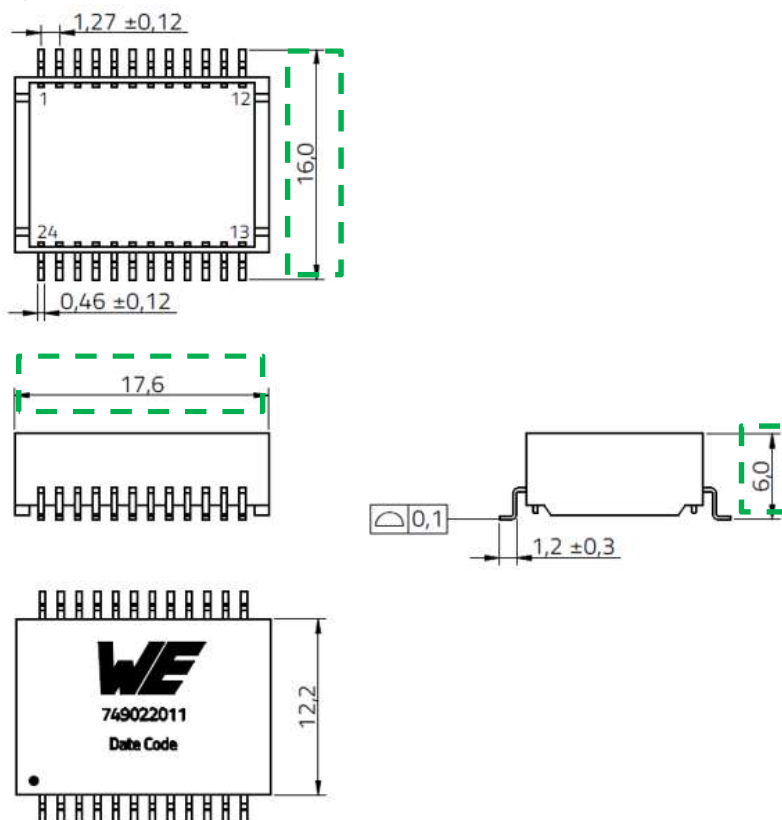


order code: 749022011

**Before change:**



**After change:**







**Reliability / Qualification of Change:**

An additional reliability testing was performed and approved. Additional details of the tests can be found in the table below:

Test Item	Sample Size	Reference	Test Conditions	Acceptance
High Temperature Exposure	30	MIL-STD-202-108	500 hours at rated operating temperature 85 °C.	Approved
Thermal Shock	30	MIL-STD-202-107	-40 °C (30min) ~ 85 °C (30min) Transfer time max. 20 s, 300 cycles	Approved
Resistance to Soldering Heat	30	J-STD-020	Tp=245 °C , tp=20-30 s, 3 times reflow	Approved
Vibration	30	MIL-STD-202-204	15-2000 Hz, 10 g's for 20 minutes, 12 cycles each of 3 orientations.	Approved
Solderability	30	IPC-A-610	Steam Aging 8 hrs±15 min @93 °C , Tp=240~245 °C ,tp=20~30 s.	Approved
Moisture Resistance	30	MIL-STD-202-106	Cycled 25 °C to 65 °C , 80-100% RH, 24 hours/cycle, 10 Cycles	Approved
Low Temperature Storage Life	30	EIA JESD 22-A119	-40 °C , 500 hours	Approved
Terminal Strength (SMD)	30	AEC-Q200-006	Push Off Force (N): 17.7 N	Approved