

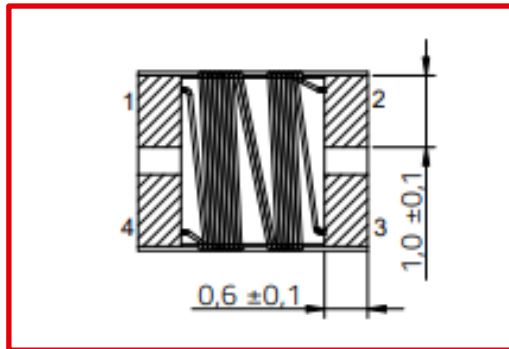


<b>Product / Process Change Notification (PCN)</b>	
<input type="checkbox"/> Major Change <input checked="" type="checkbox"/> Minor Change	
<b>PCN Number:</b> PCN_IndCNSA_20250103  <b>Affected Series:</b> WE-CNSA  <b>Affected Order Codes:</b> 784234101, 784234201  <b>PCN Date:</b> 2024-08-02 (YYYY-MM-DD) <b>Effective Date:</b> 2025-01-03 (YYYY-MM-DD)	<b>Change Category:</b> <input type="checkbox"/> Equipment/Location <input checked="" type="checkbox"/> General Data <input type="checkbox"/> Material <input type="checkbox"/> Process <input type="checkbox"/> Product Design <input type="checkbox"/> Shipping/Packaging <input type="checkbox"/> Supplier <input type="checkbox"/> Software
<b>Contact:</b> Product Management <b>Phone:</b> +49 (0) 7942 - 945 5001 <b>Fax:</b> +49 (0) 7942 - 945 5179 <b>E-Mail:</b> pcn.eisos@we-online.com	<b>Datasheet Change:</b> <input checked="" type="checkbox"/> Yes <input type="checkbox"/> No  <b>Attachment:</b> <input type="checkbox"/> Yes <input checked="" type="checkbox"/> No
<b>Description of Change:</b> Because of a database mismatch, Würth Elektronik eiSos will update datasheet for order code 784234101 and 784234201. This is a datasheet correction only. There will be no change in form, fit, function, quality or reliability of the product.	

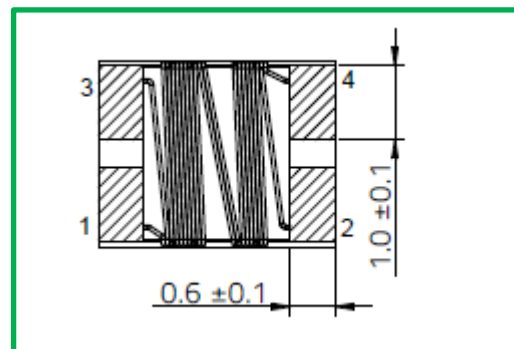
#### Details of Change:

Würth Elektronik will update the numbering of the pads in the mechanical dimensions drawing.

Before



After



#### Reliability / Qualification of Change:

There will be no change of the product, therefore no additional reliability or qualification testing was performed.