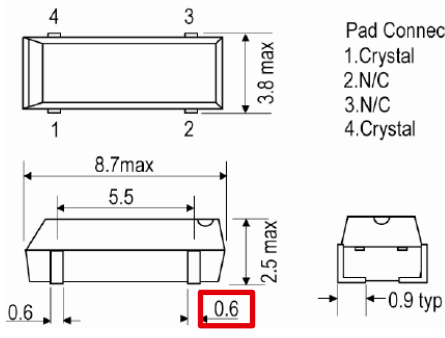
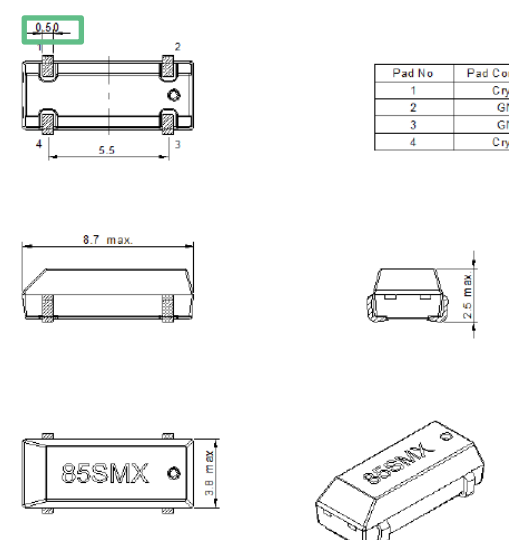


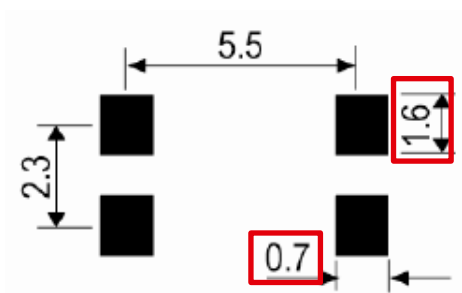
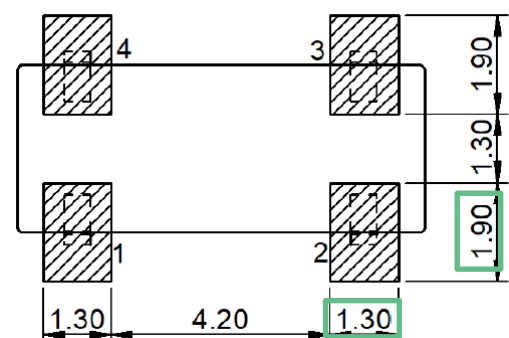


<b>Product/Process Change Notice (PCN)</b>														
<input type="checkbox"/> Major Change <input checked="" type="checkbox"/> Minor Change														
<b>PCN Number:</b> PCN_FrqXTAL_20250221  <b>Affected Series:</b> WE-XTAL  <b>Affected Part Number:</b> 830003000, 830016178, 830102447901  <b>PCN Date:</b> 2024-11-21 (YYYY-MM-DD) <b>Effective Date:</b> 2025-02-21 (YYYY-MM-DD)	<b>Change Category:</b> <input type="checkbox"/> Equipment/Location <input checked="" type="checkbox"/> General Data <input type="checkbox"/> Material <input type="checkbox"/> Process <input type="checkbox"/> Product Design <input type="checkbox"/> Shipping/Packaging <input type="checkbox"/> Supplier <input type="checkbox"/> Software													
<b>Contact:</b> Product Management  <b>Phone:</b> +49 (0) 7942 - 945 5001  <b>Fax:</b> +49 (0) 7942 - 945 5179  <b>E-Mail:</b> pcn.eisos@we-online.com	<b>Datasheet Change:</b> <input checked="" type="checkbox"/> Yes <input type="checkbox"/> No  <b>Attachment:</b> <input type="checkbox"/> Yes <input checked="" type="checkbox"/> No													
<b>DESCRIPTION OF CHANGE:</b> <p>Because of a database mismatch, Würth Elektronik eiSos will correct the RoHS status (1), packaging details (2), product dimensions (3), solder pad layout (4), IQD Part No. format (5) and manufacturing details (6) in the datasheet. This is a datasheet correction only. There will be no change in form, fit, function, quality or reliability of the product.</p>														
<b>DETAILS OF CHANGE:</b>  1. Correction of RoHS Status <table border="1" style="width: 100%; border-collapse: collapse; margin-top: 10px;"> <thead> <tr> <th style="width: 20%;"></th> <th style="text-align: center; color: red;">Before</th> <th style="text-align: center; color: green;">After</th> </tr> </thead> <tbody> <tr> <td>RoHS Status</td> <td style="text-align: center;">Compliant (2011/65/EU)</td> <td style="text-align: center;">Compliant (2015/863/EU)</td> </tr> </tbody> </table> 2. Correction of the Packaging Details: <table border="1" style="width: 100%; border-collapse: collapse; margin-top: 10px;"> <thead> <tr> <th style="width: 20%;"></th> <th style="text-align: center; color: red;">Before</th> <th style="text-align: center; color: green;">After</th> </tr> </thead> <tbody> <tr> <td>Packaging Details</td> <td style="text-align: center; color: red;"> <b>Pack Style: Reel</b>            Tape &amp; reel in accordance with EIA-481-D  <b>Pack Size: 3,000</b> </td> <td style="text-align: center; color: green;">           Tape &amp; reel in accordance with EIA-481  <b>Quantities below the standard reel size to be supplied on cut tape.</b>  <b>Standard Quantity: 3,000 Pieces</b> </td> </tr> </tbody> </table>				Before	After	RoHS Status	Compliant (2011/65/EU)	Compliant (2015/863/EU)		Before	After	Packaging Details	<b>Pack Style: Reel</b> Tape & reel in accordance with EIA-481-D <b>Pack Size: 3,000</b>	Tape & reel in accordance with EIA-481 <b>Quantities below the standard reel size to be supplied on cut tape.</b> <b>Standard Quantity: 3,000 Pieces</b>
	Before	After												
RoHS Status	Compliant (2011/65/EU)	Compliant (2015/863/EU)												
	Before	After												
Packaging Details	<b>Pack Style: Reel</b> Tape & reel in accordance with EIA-481-D <b>Pack Size: 3,000</b>	Tape & reel in accordance with EIA-481 <b>Quantities below the standard reel size to be supplied on cut tape.</b> <b>Standard Quantity: 3,000 Pieces</b>												

### 3. Correction of the Product Dimensions:

	Before	After										
Product Dimensions	 <p>Pad Connection                      1. Crystal                      2. N/C                      3. N/C                      4. Crystal</p>	 <table border="1" data-bbox="1212 548 1420 638"> <thead> <tr> <th>Pad No</th> <th>Pad Connection</th> </tr> </thead> <tbody> <tr> <td>1</td> <td>Crystal</td> </tr> <tr> <td>2</td> <td>GND</td> </tr> <tr> <td>3</td> <td>GND</td> </tr> <tr> <td>4</td> <td>Crystal</td> </tr> </tbody> </table>	Pad No	Pad Connection	1	Crystal	2	GND	3	GND	4	Crystal
Pad No	Pad Connection											
1	Crystal											
2	GND											
3	GND											
4	Crystal											

### 4. Correction of the Solder Pad Layout

	Before	After
Solder Pad Layout		



5. Update of IQD Part No.:

Due to internal standardization the last 4 digits identifying the packaging type have been removed from the IQD Part No. format.

	Before	After
IQD Part No.	LFXTALXXXXXXReel e.g. LFXTAL003000Reel	LFXTALXXXXXX e.g. LFXTAL003000

6. Correction of Manufacturing Details:

	Before	After
RoHS Terminations	Matte Sn	Ag, Sn
RoHS Reflow Temp	260 degC 10 s	260 °C max over 10 seconds

**RELIABILITY / QUALIFICATION OF CHANGE:**

There will be no change of the product, therefore no additional reliability or qualification testing was performed.