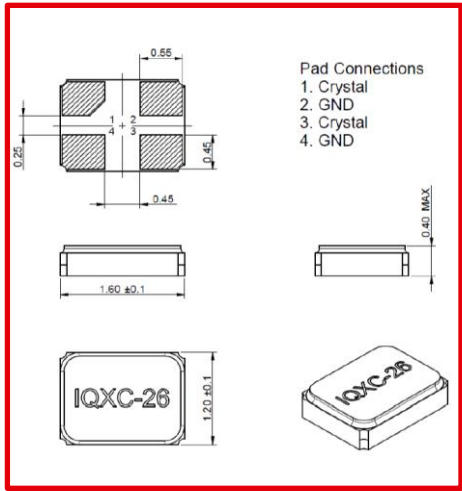
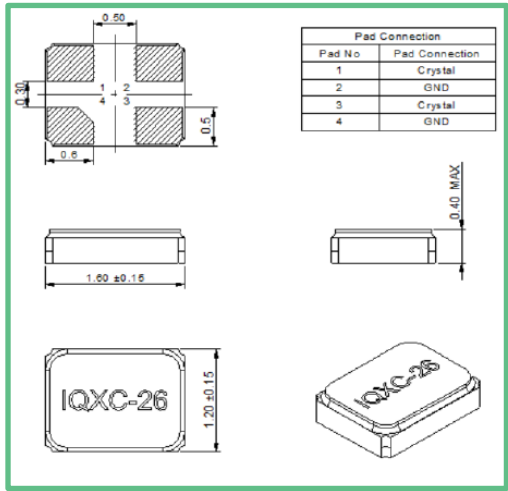
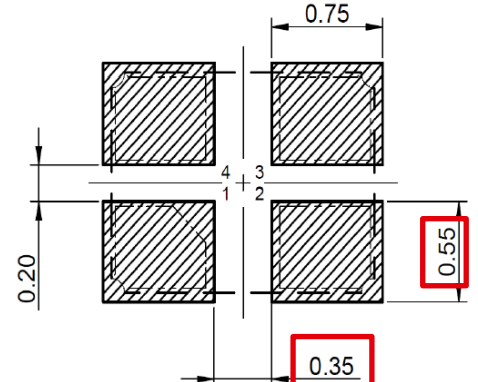
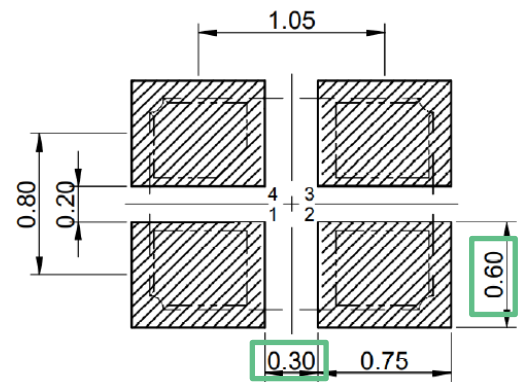




<b>Product/Process Change Notice (PCN)</b>																										
<input type="checkbox"/> Major Change <input checked="" type="checkbox"/> Minor Change																										
<p><b>PCN Number:</b> PCN_FrqXTAL_20250220</p> <p><b>Affected Series:</b> WE-XTAL</p> <p><b>Affected Part Number:</b> See table below</p> <p><b>PCN Date:</b> 2024-11-20 (YYYY-MM-DD)</p> <p><b>Effective Date:</b> 2025-02-20 (YYYY-MM-DD)</p>	<p><b>Change Category:</b></p> <input type="checkbox"/> Equipment/Location <input checked="" type="checkbox"/> General Data <input type="checkbox"/> Material <input type="checkbox"/> Process <input type="checkbox"/> Product Design <input type="checkbox"/> Shipping/Packaging <input type="checkbox"/> Supplier <input type="checkbox"/> Software																									
<p><b>Contact:</b> Product Management</p> <p><b>Phone:</b> +49 (0) 7942 - 945 5001</p> <p><b>Fax:</b> +49 (0) 7942 - 945 5179</p> <p><b>E-Mail:</b> pcn.eisos@we-online.com</p>	<p><b>Datasheet Change:</b></p> <input checked="" type="checkbox"/> Yes <input type="checkbox"/> No <p><b>Attachment:</b></p> <input type="checkbox"/> Yes <input checked="" type="checkbox"/> No																									
<p><b>DESCRIPTION OF CHANGE:</b></p> <p>Because of a database mismatch, Würth Elektronik eiSos will correct the packaging details (1), product dimensions (2), solder pad layout (3), IQD Part No. format (4), ageing (5), electrical parameters (6), environmental parameters (7) and ESR (8) in the datasheet.</p> <p>This is a datasheet correction only. There will be no change in form, fit, function, quality or reliability of the product.</p>																										
<p><b>Affected Part Number:</b></p> <table border="1" style="width: 100%; border-collapse: collapse; text-align: center;"> <tbody> <tr> <td>830066742</td> <td>830108160801</td> <td>830108161301</td> <td>830108389001</td> <td>830108338501</td> </tr> <tr> <td>830069526</td> <td>830081609</td> <td>830108161601</td> <td>830108161801</td> <td>830109050401</td> </tr> <tr> <td>830069527</td> <td>830108161401</td> <td>830108161901</td> <td>830108162101</td> <td>830109054701</td> </tr> <tr> <td>830069528</td> <td>830108161001</td> <td>830081620</td> <td>830072541</td> <td>830108161201</td> </tr> <tr> <td>830072539</td> <td></td> <td></td> <td></td> <td></td> </tr> </tbody> </table>		830066742	830108160801	830108161301	830108389001	830108338501	830069526	830081609	830108161601	830108161801	830109050401	830069527	830108161401	830108161901	830108162101	830109054701	830069528	830108161001	830081620	830072541	830108161201	830072539				
830066742	830108160801	830108161301	830108389001	830108338501																						
830069526	830081609	830108161601	830108161801	830109050401																						
830069527	830108161401	830108161901	830108162101	830109054701																						
830069528	830108161001	830081620	830072541	830108161201																						
830072539																										

<b>DETAILS OF CHANGE:</b>														
1. Correction of the Packaging Details:														
Packaging Details	<p><b>Before</b></p> <p>Pack Style: Reel</p> <p>Tape &amp; reel in accordance with EIA-481-D</p> <p>Pack Size: 3,000</p>	<p><b>After</b></p> <p>Tape &amp; reel in accordance with EIA-481</p> <p>Quantities below the standard reel size to be supplied on cut tape.</p> <p>Standard Quantity: 3,000 Pieces</p>												
2. Correction of the Product Dimensions:														
Product Dimensions	<p><b>Before</b></p>  <p>Pad Connections          1. Crystal          2. GND          3. Crystal          4. GND</p>	<p><b>After</b></p>  <table border="1"> <thead> <tr> <th colspan="2">Pad Connection</th> </tr> <tr> <th>Pad No</th> <th>Pad Connection</th> </tr> </thead> <tbody> <tr> <td>1</td> <td>Crystal</td> </tr> <tr> <td>2</td> <td>GND</td> </tr> <tr> <td>3</td> <td>Crystal</td> </tr> <tr> <td>4</td> <td>GND</td> </tr> </tbody> </table>	Pad Connection		Pad No	Pad Connection	1	Crystal	2	GND	3	Crystal	4	GND
Pad Connection														
Pad No	Pad Connection													
1	Crystal													
2	GND													
3	Crystal													
4	GND													
L	1.60 ± 0.1	1.60 ± 0.15												
W	1.20 ± 0.1	1.20 ± 0.15												
H	0.40 max	0.40 max												

### 3. Correction of the Solder Pad Layout

	Before	After
Solder Pad Layout		

### 4. Update of IQD Part No.:

Due to internal standardization the last 4 digits identifying the packaging type have been removed from the IQD Part No. format.

	Before	After
IQD Part No.	LFXTALXXXXXXReel e.g. LFXTAL072539Reel	LFXTALXXXXXX e.g. LFXTAL072539

### 5. Correction of the Ageing:

	Before	After
Ageing	±5 ppm max per year @ 25 °C	±3 ppm max per year @ 25 °C

### 6. Correction of Electrical Parameters:

	Before	After
Shunt Capacitance (CO)	7 pF max	3 pF max



7. Standardization of Environmental Parameters:

Due to internal standardization, it has been decided to update the shock and vibration specification to align with the test condition of the AEC-Q200.

	Before	After
Storage Temperature Range	-40 to 85 °C	-55 to 125 °C
Shock	IEC 60068-2-27: 1000 G, 1 ms, 3 times in each of 3 mutually perpendicular planes	Test (MIL-STD-202 Method 213 ): Half Sine shock pulse with peak acceleration 500 g. Pulse duration: 0.3 ms
Vibration	IEC 60068-2-6: 1.5 mm amplitude, 10 Hz-55 Hz, 1 min in 3 mutually perpendicular planes, duration 2 hrs each plane (total 6 hrs)	(MIL-STD-202 Method 204 ): Frequency: 10 - 55 Hz. Amplitude: 0.7 - 0.9 mm pk-pk. Sweep: 1 minute. Duration: 2 hours in each of 3 mutually perpendicular direction.

8. Correction of ESR:

	Affected Part Numbers	Before	After
ESR	830108160801, 830081609, 830066742, 830108161401, 830072541, 830108161001, 830108161201, 830108389001, 830108338501	200 Ω	150 Ω
	830069526, 830108161301, 830108161601, 830108161801	100 Ω	150 Ω

**RELIABILITY / QUALIFICATION OF CHANGE:**

There will be no change of the product, therefore no additional reliability or qualification testing was performed.