

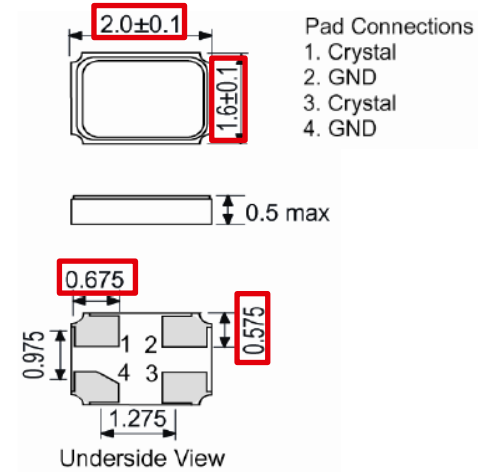
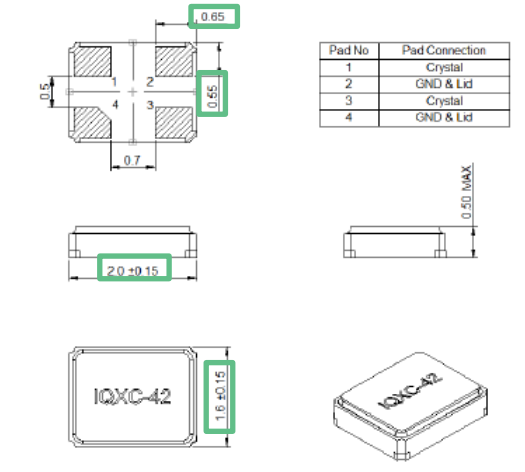


Product/Process Change Notice (PCN)																																				
<input type="checkbox"/> Major Change <input checked="" type="checkbox"/> Minor Change																																				
PCN Number: PCN_FrqXTAL_20250219 Affected Series: WE-XTAL Affected Part Number: See table below PCN Date: 2024-11-19 (YYYY-MM-DD) Effective Date: 2025-02-19 (YYYY-MM-DD)	Change Category: <input type="checkbox"/> Equipment/Location <input checked="" type="checkbox"/> General Data <input type="checkbox"/> Material <input type="checkbox"/> Process <input type="checkbox"/> Product Design <input type="checkbox"/> Shipping/Packaging <input type="checkbox"/> Supplier <input type="checkbox"/> Software																																			
Contact: Product Management Phone: +49 (0) 7942 - 945 5001 Fax: +49 (0) 7942 - 945 5179 E-Mail: pcn.eisos@we-online.com	Datasheet Change: <input checked="" type="checkbox"/> Yes <input type="checkbox"/> No Attachment: <input type="checkbox"/> Yes <input checked="" type="checkbox"/> No																																			
DESCRIPTION OF CHANGE: <p>Because of a database mismatch, Würth Elektronik eiSos will correct the RoHs status (1), packaging details (2), product dimensions (3), solder pad layout (4), IQD Part No. format (5), ageing (6), environmental parameters (7) and ESR (8) in the datasheet.</p> <p>This is a datasheet correction only. There will be no change in form, fit, function, quality or reliability of the product.</p>																																				
Affected Part Number:																																				
<table border="1" style="width: 100%; border-collapse: collapse; text-align: center;"> <tbody> <tr> <td>830059585</td> <td>830059632</td> <td>830108178109</td> <td>830108212809</td> <td>830108213509</td> </tr> <tr> <td>830059591</td> <td>830069493</td> <td>830108212309</td> <td>830108212909</td> <td>830108246809</td> </tr> <tr> <td>830059596</td> <td>830069494</td> <td>830108212509</td> <td>830108213009</td> <td>830108288709</td> </tr> <tr> <td>830059597</td> <td>830072543</td> <td>830108212609</td> <td>830108213109</td> <td>830108213209</td> </tr> <tr> <td>830059627</td> <td>830072546</td> <td>830108212709</td> <td>830108594609</td> <td>830108601809</td> </tr> <tr> <td>830108188309</td> <td>830107543109</td> <td>830107257709</td> <td>830108598709</td> <td>830109061709</td> </tr> <tr> <td>830106947501</td> <td>830108314709</td> <td>830108561309</td> <td>830108598609</td> <td></td> </tr> </tbody> </table>		830059585	830059632	830108178109	830108212809	830108213509	830059591	830069493	830108212309	830108212909	830108246809	830059596	830069494	830108212509	830108213009	830108288709	830059597	830072543	830108212609	830108213109	830108213209	830059627	830072546	830108212709	830108594609	830108601809	830108188309	830107543109	830107257709	830108598709	830109061709	830106947501	830108314709	830108561309	830108598609	
830059585	830059632	830108178109	830108212809	830108213509																																
830059591	830069493	830108212309	830108212909	830108246809																																
830059596	830069494	830108212509	830108213009	830108288709																																
830059597	830072543	830108212609	830108213109	830108213209																																
830059627	830072546	830108212709	830108594609	830108601809																																
830108188309	830107543109	830107257709	830108598709	830109061709																																
830106947501	830108314709	830108561309	830108598609																																	

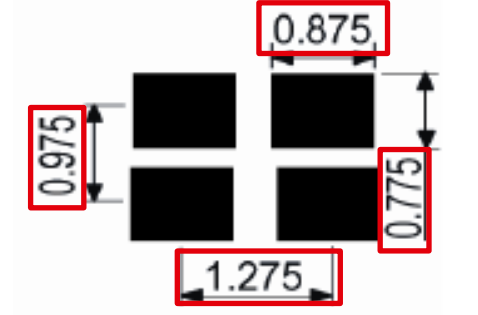
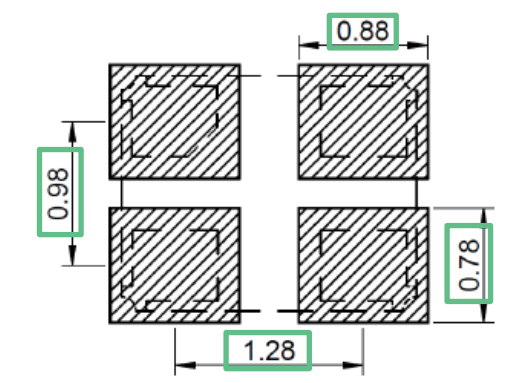


DETAILS OF CHANGE:			
1. Correction of the RoHS Status:			
	Before	After	
RoHS Status	Compliant (2011/65/EU)	Compliant (2015/863/EU)	
2. Correction of the Packaging Details:			
	Affected Part Numbers	Before	After
Packaging Details	830059585, 830059591, 830059596, 830059597, 830059627, 830059632, 830069493, 830069494, 830072543, 830072546, 830106947501	Pack Style: Reel Tape & reel in accordance with EIA-481-D Pack Size: 1,000	Tape & reel in accordance with EIA-481 Quantities below the standard reel size to be supplied on cut tape Standard Quantity: 3,000 Pieces
	830108212309, 830108212509, 830108212609, 830108212709, 830108212809, 830108212909, 830108213009, 830108213109, 830108213209, 830108213509, 830108178109, 830108246809, 830108288709, 830108601809, 830108561309, 830107257709, 830107543109, 830108314709, 830108594609, 830108598709, 830108598609, 830108188309, 830109061709	Pack Style: RL3K Tape & reel in accordance with EIA-481-D Pack Size: 3,000	Tape & reel in accordance with EIA-481 Quantities below the standard reel size to be supplied on cut tape Standard Quantity: 3,000 Pieces

3. Correction of the Product Dimensions:

	Before	After										
Product Dimensions	 <p>Pad Connections 1. Crystal 2. GND 3. Crystal 4. GND</p>	 <table border="1"> <thead> <tr> <th>Pad No</th> <th>Pad Connection</th> </tr> </thead> <tbody> <tr> <td>1</td> <td>Crystal</td> </tr> <tr> <td>2</td> <td>GND & Lid</td> </tr> <tr> <td>3</td> <td>Crystal</td> </tr> <tr> <td>4</td> <td>GND & Lid</td> </tr> </tbody> </table>	Pad No	Pad Connection	1	Crystal	2	GND & Lid	3	Crystal	4	GND & Lid
Pad No	Pad Connection											
1	Crystal											
2	GND & Lid											
3	Crystal											
4	GND & Lid											
L	2.0 ± 0.1	2.0 ± 0.15										
W	1.6 ± 0.1	1.6 ± 0.15										
H	0.5 max	0.5 max										

4. Correction of the Solder Pad Layout

	Before	After
Solder Pad Layout		



5. Update of IQD Part No.:

Due to internal standardization the last 4 digits identifying the packaging type have been removed from the IQD Part No. format.

	Before	After
IQD Part No.	LFXTALXXXXXXReel or LFXTALXXXXXXRL3K e.g. LFXTAL059585Reel, LFXTAL072546RL3K	LFSPXXXXXXX e.g. LFXTAL059585, LFXTAL072546

6. Correction of the Ageing:

	Before	After
Ageing	±3 ppm max per year @ 25 °C	±3 ppm max per year

7. Standardization of Environmental Parameters:

Due to internal standardization, it has been decided to update the shock and vibration specification to align with the test condition of the AEC-Q200.

	Before	After
Environmental Parameters	Shock: IEC 60068-2-27: 1000 G, 1 ms, 3 times in each of 3 mutually perpendicular planes Vibration: IEC 60068-2-6: 1.5 mm amplitude, 10 Hz-55 Hz, 1 min in 3 mutually perpendicular planes, duration 2 hrs each plane (total 6 hrs)	Vibration (MIL-STD-202 Method 204): Frequency: 10 - 55 Hz. Amplitude: 0.7 - 0.9 mm pk-pk. Sweep: 1 minute. Duration: 2 hours in each of 3 mutually perpendicular direction. Shock Test (MIL-STD-202 Method 213. Condition C): Half-sine shock pulse peak acceleration of 100 g ; pulse duration of 6 ms.



8. Correction of ESR:

	Affected Part Numbers	Before	After
ESR	830069493, 830108212309, 830107257709	100 Ω	120 Ω
	830059596, 830108212809, 830059597, 830108212909, 830108213009, 830106947501, 830108598709, 830108598609	80 Ω	100 Ω
	830059632, 830108213209, 830072546, 830108213509, 830109061709	60 Ω	100 Ω

RELIABILITY / QUALIFICATION OF CHANGE:

There will be no change of the product, therefore no additional reliability or qualification testing was performed.