

USER MANUAL

WSEN-HIDS

2525020210002

VERSION 1.2

OCTOBER 18, 2024

WÜRTH ELEKTRONIK MORE THAN YOU EXPECT

Revision history

Manual version	Product version	Notes	Date
1.0	1.0	<ul style="list-style-type: none">• Initial release of the manual	June 2023
1.1	1.0	<ul style="list-style-type: none">• Updated chapter 3: Sensor and electrical specifications• Updated Figure 6: Slave address format	August 2023
1.2	1.0	<ul style="list-style-type: none">• Updated chapter Important notes• Updated chapter Legal notice	October 2024

Abbreviations

Abbreviation	Description
ESD	Electrostatic discharge
I ² C	Inter integrated circuit
LGA	Land grid array
LSB	Least significant bit
MEMS	Micro-Electro Mechanical system
MSB	Most significant bit
ODR	Output data rate
PCB	Printed circuit board

Contents

1	Product description	5
1.1	Introduction	5
1.2	Applications	5
1.3	Sensor features	5
1.4	Block diagram	6
1.5	Ordering information	6
2	Handling humidity sensor	7
3	Sensor and electrical specifications	8
3.1	Humidity sensor specifications	8
3.2	Temperature sensor specifications	9
3.3	Electrical specifications	10
3.4	Timings	11
3.5	Absolute maximum rating	11
3.6	General information	11
4	Pinning description	12
5	Application circuit	13
6	Digital interface	14
6.1	General characteristics	14
6.2	<i>SDA</i> and <i>SCL</i> logic levels	15
6.3	Communication phase	15
6.3.1	Idle state	15
6.3.2	START(S) and STOP(P) condition	15
6.3.3	Data validity	15
6.3.4	Byte format	16
6.3.5	Acknowledge (ACK) and No-Acknowledge (NACK)	16
6.3.6	I ² C address for the sensor	16
6.3.7	Read/Write operation	17
6.4	Checksum Calculation	18
6.5	I ² C timing parameters	19
7	Command description	20
7.1	Measure temperature and relative humidity	20
7.1.1	Conversion of sensor signals	20
7.2	Operating heater	21
7.2.1	Important considerations for operating the heater	21
7.3	Serial number of the sensor	22
7.4	Reset of the sensor	22
8	Physical specifications	23
8.1	Module drawing	23
8.2	Footprint	24

9	MEMS Sensor PCB Design Guidelines	25
9.1	PCB Design rules	25
9.2	Guidelines for PCB Design	28
9.3	Guidelines for soldering	30
9.3.1	Before soldering	30
9.3.2	After soldering	31
9.4	Guidelines for stencil design and solder paste	32
9.5	Guidelines for process considerations	32
10	Manufacturing information	33
10.1	Moisture sensitivity level	33
10.2	Soldering	33
10.2.1	Reflow soldering	33
10.2.2	Cleaning and washing	34
10.2.3	Potting and coating	34
10.2.4	Storage conditions	35
10.2.5	Handling	35
11	Important notes	36
12	Legal notice	36
13	License terms for Würth Elektronik eiSos GmbH & Co. KG sensor product software and source code	37

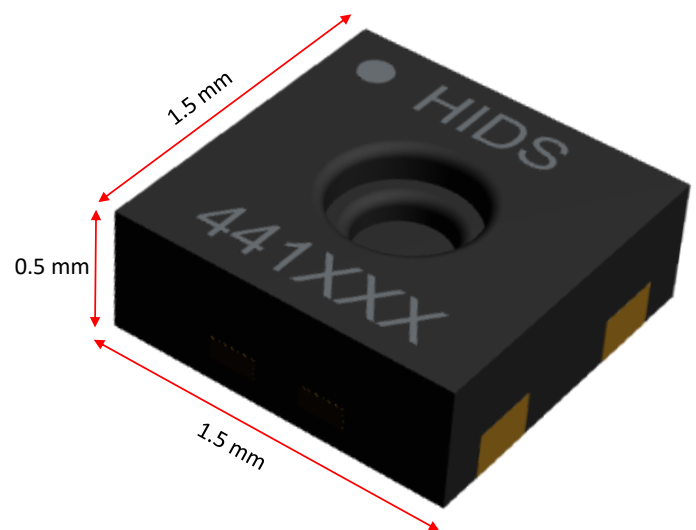
1 Product description

1.1 Introduction

The humidity sensor is a 16-bit digital ultra-low-power and high-performance sensor with digital output interface. It measures relative humidity from 0 to 100% rH in one shot mode or continuous mode operation with an output data rate of 1 Hz. It is also embedded with a temperature sensor for ambient temperature measurement. The sensor is fully calibrated and no further calibration is required. The dimension of the sensor is 1.5 mm × 1.5 mm × 0.5 mm. It is available in Dual Flat No-Lead (DFN).

1.2 Applications

- HVAC systems
- Home and building automation
- Goods and asset tracking
- Air conditioners
- Refrigerators



1.3 Sensor features

- Humidity measurement range : 0 to 100% rH
- Humidity accuracy : 1.8 to 3%
- Temperature measurement range : -40 to +125 °C
- Temperature accuracy : 0.2 to 0.6 °C
- Output data rate : 1 Hz
- Operating modes : Continuous mode and one-shot mode
- Current consumption : 8.9µA @ODR 1Hz
- Communication interface : I²C

1.4 Block diagram

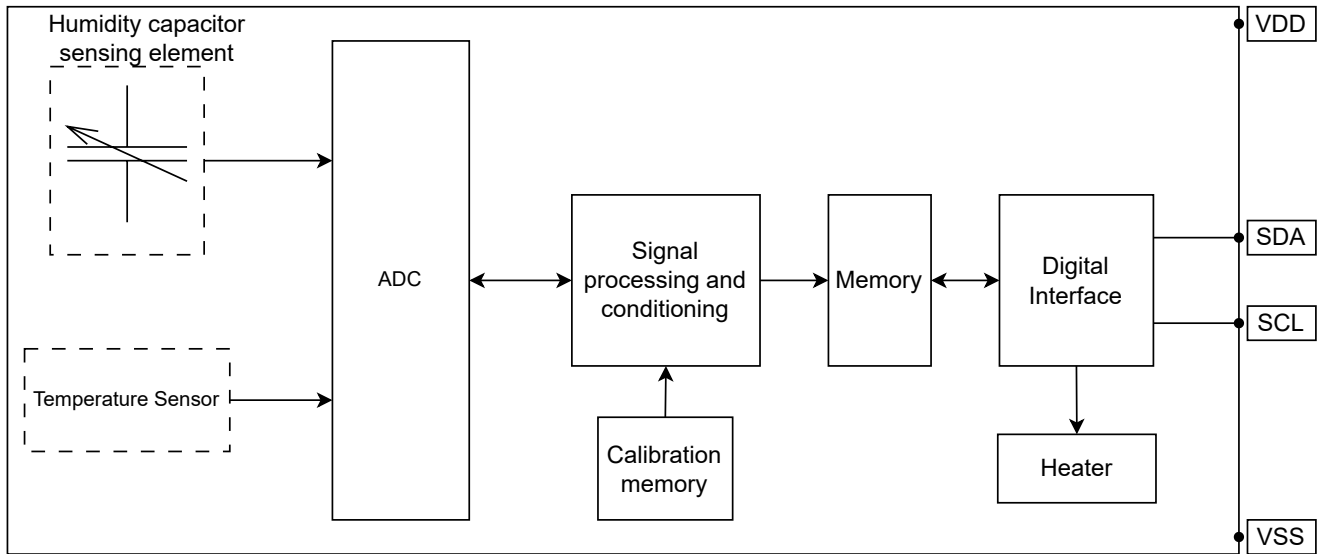


Figure 1: Block diagram

The sensor is a MEMS based capacitive humidity sensor with an integrated ASIC. MEMS sensing element is a capacitor with a dielectric polymer which absorbs or desorbs water with proportional to the relative humidity in the environment. A silicon based temperature sensor is integrated in the same package. ASIC comprises of analog-to-digital converter, signal processing and conditioning and memory. ASIC converts the analog signal from the both humidity and temperature sensing element into a 16-bit digital humidity and temperature values. The sensor is factory calibrated for both humidity and temperature measurements. The calibration parameters are stored in calibration memory. When the sensor is powered on, these calibration parameters are loaded from the calibration memory to the registers. Hence, no further calibration is required for humidity and temperature values.

1.5 Ordering information

WE order code	Measurement Range	Description
2525020210002	0 to 100% rH, -40 °C to +125 °C	Tape & reel packaging (2500 pcs/reel)

Table 1: Ordering information

2 Handling humidity sensor

- It is important to understand that a humidity sensor is not a normal electronic component. It must be handled with care.
- Chemical vapours at high concentration in combination with long exposure time may offset the sensor reading.
- It is recommended to store the sensors within a temperature range of 10 °C to 50 °C and humidity with a range of 20% rH to 60% rH.
- Long-term exposure to conditions outside normal humidity and temperature range, especially at higher humidity range may temporarily offset the output value of humidity sensor.
- After returning to the normal exposure conditions, the humidity output value will usually slowly return to the calibration state by itself.
- To recover the sensor accuracy to the normal state after exposing to outside normal humidity and temperature range, it has to be reconditioned with the following procedure:
 1. Baking: 100 °C to 110 °C at 5% rH for 24h
 2. Re-hydration: 20 °C to 30 °C at 80% rH for 48h



WSEN_HIDS humidity sensor is not a normal electronic component. The sensing element of the humidity sensor is made of polymer. Long-term exposure above normal humidity (20% rH to 60% rH) and temperature (10 °C and 50 °C) range may offset the sensor value.

3 Sensor and electrical specifications

T = 25 °C, supply voltage VDD = 3.3V, unless otherwise stated. Sensor parameter values are verified after soldering the sensor on a PCB. The PCB is designed by following the MEMS Sensor PCB design guidelines described in chapter 9.

3.1 Humidity sensor specifications

Parameters	Symbol	Test conditions	Min	Typ.	Max.	Unit
Measurement range	H _{RANGE}		0		100	% rH
Resolution	RES _H			0.01		% rH
Accuracy	H _{ACC}	20% rH to 80% rH		±1.8		% rH
		0% rH to 100% rH			±3	% rH
Humidity Repeatability (high) ¹	REP _{H,high}	High repeatability		±0.08		% rH
Humidity Repeatability (medium) ¹	REP _{H,med}	Medium repeatability		±0.15		% rH
Humidity Repeatability (low) ¹	REP _{H,low}	Low repeatability		±0.25		% rH
Hysteresis	HYS _H	At 25 °C		±0.8		% rH
Long-term drift	H _{DRIFT}	20% rH to 80% rH		0.2		% rH/Year
Response time	t _{RESP,H}	Step response time of 63%		4		s

Table 2: Humidity sensor specification

¹ The stated repeatability is 3 times the standard deviation (3σ) of consecutive measurements taken under constant conditions at 25 °C and 50% rH (indicating the sensor's output noise)

3.2 Temperature sensor specifications

Parameters	Symbol	Test conditions	Min.	Typ.	Max.	Unit
Measurement range	T_{RANGE}		-40		+125	°C
Resolution	RES_T			0.01		°C
Absolute accuracy	T_{ACC_ABS}	0 °C to 60 °C		±0.2		°C
		-40 °C to 125 °C			±0.6	°C
Temperature Repeatability (high) ¹	$REP_{T,high}$	High repeatability		±0.04		°C
Temperature Repeatability (medium) ¹	$REP_{T,med}$	Medium repeatability		±0.07		°C
Temperature Repeatability (low) ¹	$REP_{T,low}$	Low repeatability		±0.1		°C
Long-term drift	T_{DRIFT}			0.03		°C/Year
Response time	$t_{RESP,T}$	Step response time of 63%		2		s

Table 3: Temperature sensor specification

¹ The stated repeatability is 3 times the standard deviation (3σ) of consecutive measurements taken under constant conditions at 25 °C and 50% rH (indicating the sensor's output noise)

3.3 Electrical specifications

Parameters	Symbol	Conditions	Min.	Typ.	Max.	Unit
Operating supply voltage	V_{DD}		1.08	3.3	3.6	V
Current consumption in power down mode	I_{DD_PD}	Idle state (no heater) at $V_{DD} = 3.3V$		0.08		μA
Current consumption in power up mode	I_{DD_PO}	Power up (no heater) at $V_{DD} = 3.3V$		50		μA
Current consumption	I_{DD}	Measurement (no heater) at $V_{DD} = 3.3V$		320	500	μA
Current consumption in high repeatability mode ¹	I_{DD_high}	High repeatability (no heater) at $V_{DD} = 3.3 V$		2.2		μA
Current consumption in medium repeatability mode ¹	I_{DD_med}	Medium repeatability (no heater) at $V_{DD} = 3.3 V$		1.2		μA
Current consumption in low repeatability mode ¹	I_{DD_low}	Low repeatability (no heater) at $V_{DD} = 3.3 V$		0.4		μA
Power consumption in high repeatability mode ¹	$P_{DD,high}$	At $V_{DD} = 1.2 V$ (no heater)		2.6		μW
Power consumption in medium repeatability mode ¹	$P_{DD,med}$	At $V_{DD} = 1.2 V$ (no heater)		1.4		μW
Power consumption in low repeatability mode ¹	$P_{DD,low}$	At $V_{DD} = 1.2 V$ (no heater)		0.5		μW

Table 4: Electrical specification

¹ The average current/power consumption of a device during continuous operation, with one measurement taken per second.

3.4 Timings

Parameters	Symbol	Conditions	Min.	Max.	Unit
Measurement duration	-	High repeatability	-	8.4	ms
		Medium repeatability	-	4.6	ms
		Low repeatability	-	1.6	ms

Table 5: Timing information

3.5 Absolute maximum rating

Parameter	Min.	Max.	Unit
Max. voltage on any pin	-0.3	3.9	V
Operating temperature range	-40	125	°C

Table 6: Absolute maximum rating

3.6 General information

Parameters	Values
Operating temperature	-40 °C to +125 °C
Storage temperature	-40 °C to +150 °C
Communication interface	I ² C
Moisture sensitivity level (MSL)	1
Electrostatic discharge protection(HBM)	2 kV
Electrostatic discharge protection(CDM)	500 V

Table 7: General information



The device is susceptible to damage by electrostatic discharge (ESD). Always use proper ESD precautions when handling. Improper handling of the device can cause performance degradation or permanent damage to the part



For better performance, the recommended storage condition for the humidity sensor is 10 °C to 50 °C with 20% rH to 60% rH

4 Pinning description

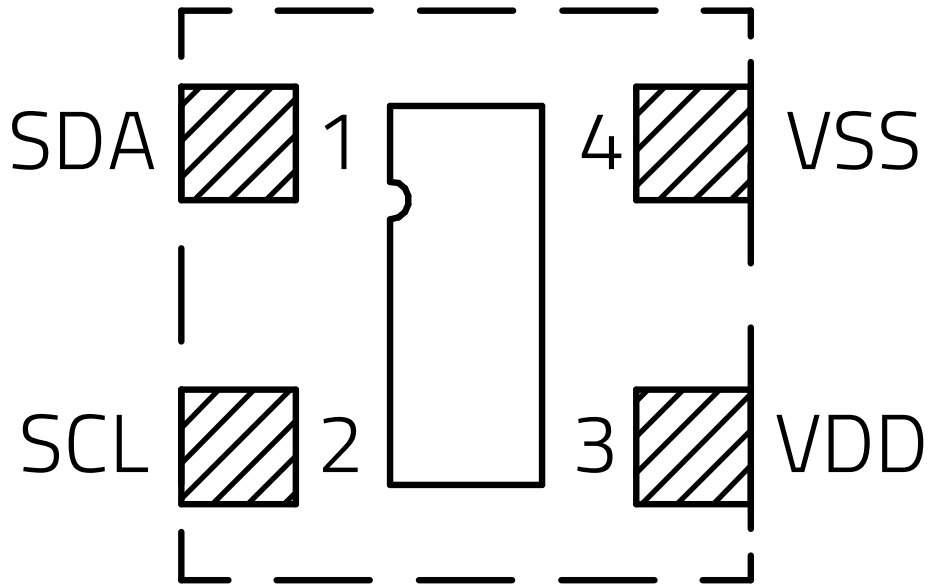


Figure 2: Pinout (top view)

No	Function	Description	Input/Output
1	<i>SDA</i>	Serial data	Input/Output
2	<i>SCL</i>	Serial clock	Input
3	<i>VDD</i>	Positive supply voltage	Supply
4	<i>VSS</i>	Ground	Supply

Table 8: Pin description



The central die pad helps to dissipate the heat which will prevent temperature variations. It is not recommended to solder the central die pad because the sensor can reach higher temperature during the heater activation.

5 Application circuit

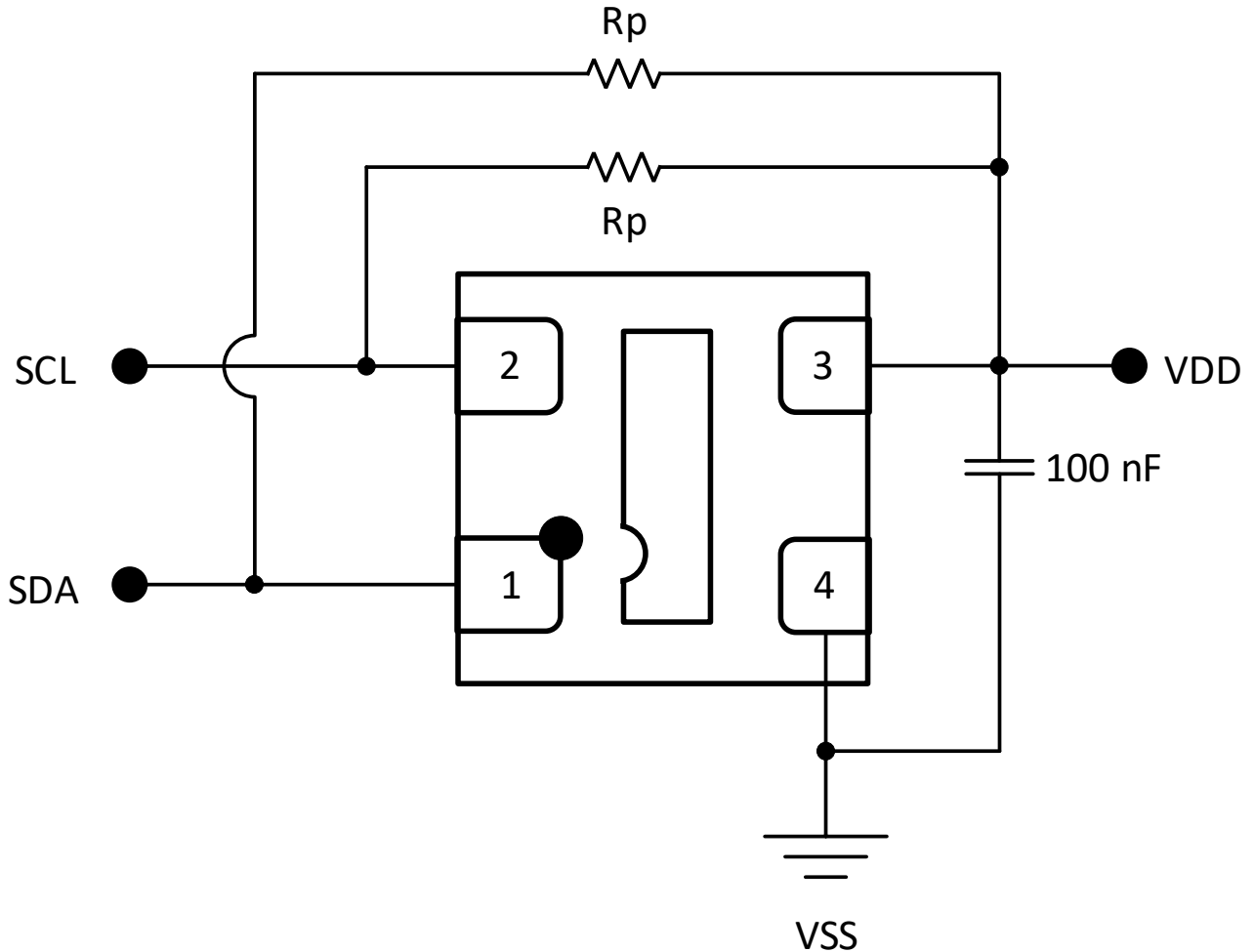


Figure 3: Electrical connection

A positive supply voltage is applied to the sensor through *VDD* pin and negative voltage to *GND*. The decoupling capacitor of 100 nF in parallel is highly recommended to prevent the voltage ripples on the *VDD* line. It should be placed as close as possible to the *VDD* pin. The pull up resistors R_p for I²C communication interface should be connected parallel between supply voltage *VDD* and *SCL* and *SDA* pins.

Depending on the internal resistance of I²C pins at the master side, the pull up resistors R_p can be selected for proper rise and fall time of the digital signals.

6 Digital interface

The humidity sensor supports standard I²C (Inter-IC) bus protocol. Further information of the I²C interface can be found at <https://www.nxp.com/docs/en/user-guide/UM10204.pdf>. I²C is a serial 8-bit protocol with two-wire interface, which supports communication between different ICs. For example, between the microcontroller and other peripheral devices.

6.1 General characteristics

A serial data line (*SDA*) and a serial clock line (*SCL*) are required for the communication between the devices connected via I²C bus. Both *SDA* and *SCL* lines are bidirectional. The output stages of devices connected to the bus must have an open-drain or open-collector. Hence, the *SDA* and *SCL* lines are connected to a positive supply voltage via pull-up resistors. In I²C protocol, the communication is realized through master-slave principle. The master device generates the clock pulse, a start command and a stop command for the data transfer. Each connected device on the bus is addressable via a unique address. Master and slave can act as a transmitter or a receiver depending upon whether the data needs to be transmitted or received.



The sensor implements the I²C role "slave"

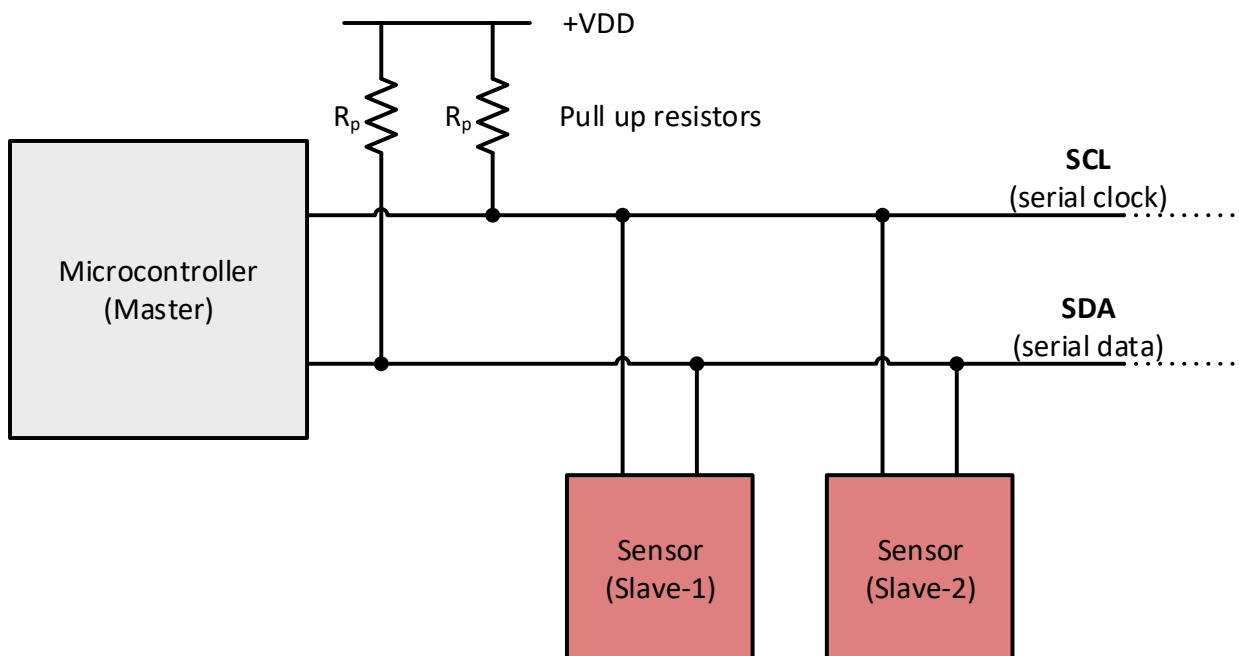


Figure 4: Master-slave concept

6.2 SDA and SCL logic levels

The positive supply voltage to which *SDA* and *SCL* lines are pulled up (through pull-up resistors), in turn determines the high level input for the slave devices. The sensor has separate supply voltage *VDD_IO* for the *SDA* and *SCL* lines. The logic high '1' and logic low '0' levels for the *SDA* and *SCL* lines then depend on the *VDD*.

6.3 Communication phase

6.3.1 Idle state

During the idle state, the bus is free and both *SDA* and *SCL* lines are in logic high '1' state.

6.3.2 START(S) and STOP(P) condition

Data transfer on the bus starts with a START command, which is generated by the master. A start condition is defined as a high-to-low transition on the *SDA* line while the *SCL* line is held high. The bus is considered busy after the start condition.

Data transfer on the bus is terminated with a STOP command, which is also generated by the master. A low-to-high transition on the *SDA* line, while the *SCL* line being high is defined as a STOP condition. After the stop condition, the bus is again considered free and is in idle state. Figure 5 shows the I²C bus START and STOP conditions.

Master can also send a REPEATED START (SR) command instead of STOP command. REPEATED START condition is same as the START condition.

6.3.3 Data validity

After the start condition, one data bit is transmitted with each clock pulse. The transmitted data is only valid when the *SDA* line data is stable (high or low) during the high period of the clock pulse. High or low state of the data line can only change when the clock pulse is in low state.

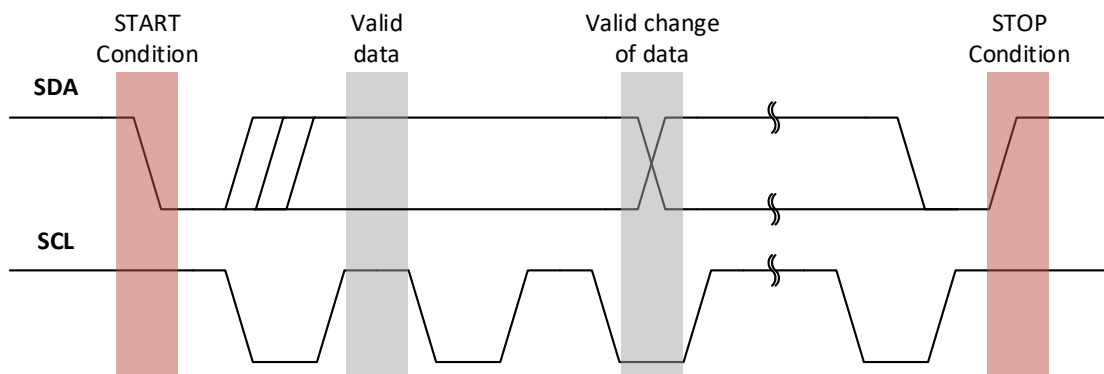


Figure 5: Data validity, START and STOP condition

6.3.4 Byte format

Data transmission on the *SDA* line is always done in bytes, with each byte being 8-bits long. Data is transmitted with the most significant bit (MSB) followed by other bits.

If the slave cannot receive or transmit another complete byte of data, it can force the master into a wait state by holding *SCL* LOW. Data transfer continues when the slave is ready which is indicated by releasing the *SCL* pin.

6.3.5 Acknowledge (ACK) and No-Acknowledge (NACK)

Each byte transmitted on the data line must follow an Acknowledge bit. The receiver (master or slave) generates an Acknowledge signal to indicate that the data byte was received successfully and ready to receive next data byte.

After one byte is transmitted, the master generates an additional Acknowledge clock pulse to continue the data transfer. The transmitter releases the *SDA* line during this clock pulse so that the receiver can pull the *SDA* line to low state in such a way that the *SDA* line remains stable low during the entire high period of the clock pulse. It is considered as an Acknowledge signal.

If the receiver does not want to receive any further byte, it will not pull down the *SDA* line and it remains in stable high state during the entire clock pulse. It is considered as a No-Acknowledge signal and the master can generate either a stop condition to terminate the data transfer or a repeated start condition to initiate a new data transfer.

6.3.6 I²C address for the sensor

The I²C address is transmitted after sending the start condition. Master selects the slave by sending corresponding I²C address after the start condition. A I²C address is a 7 bits long followed by a Read/Write bit.

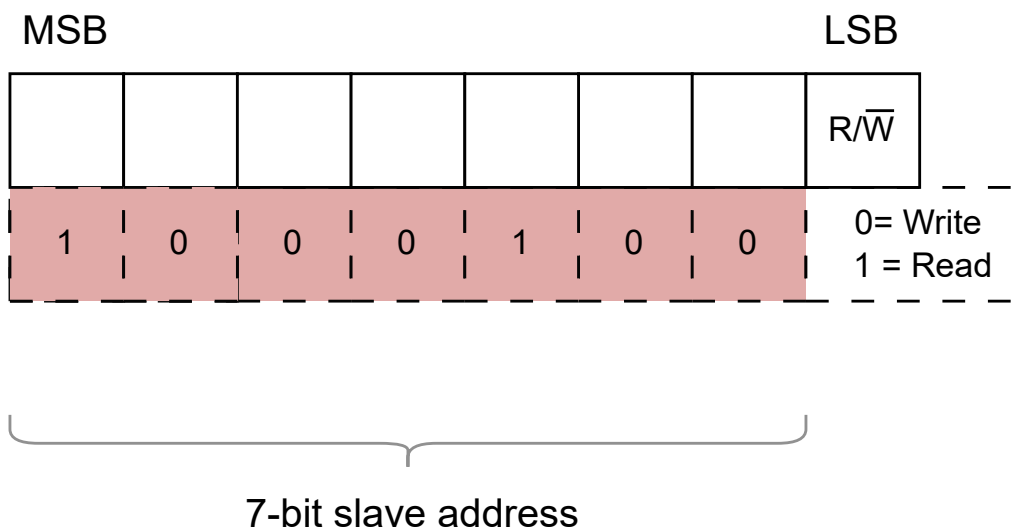


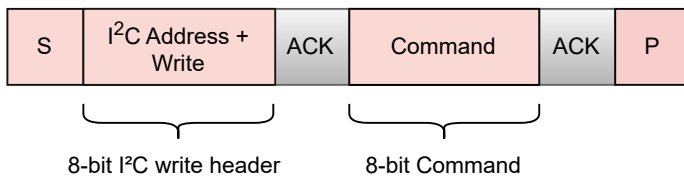
Figure 6: Slave address format

The 7-bit I²C address of the humidity sensor is 1000100b ("0x44"). The R/W bit determines the data direction. '0' indicates a write operation (transmission from master to slave) and a '1' indicates a read operation (data request from slave).

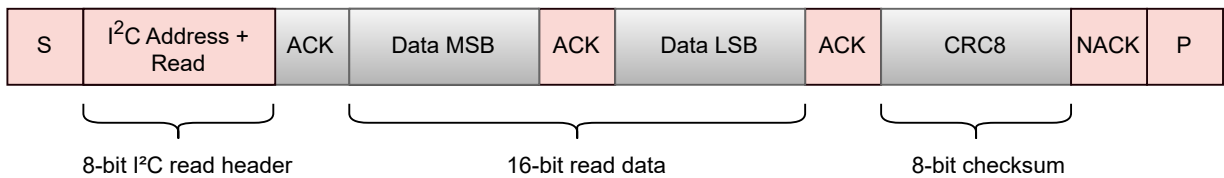
7-bit slave address of the humidity sensor is 1000100b ("0x44"). Depending on the used micro-controller, left shifting this 7 bits by 1 may be required. Check host micro-controller of the user manual for device specific information

6.3.7 Read/Write operation

a) I²C Write: Master writing data to slave



b) I²C Read: Master reading data from slave



	Transmission from master to slave
	Transmission from slave to master
S	START condition
P	STOP condition
ACK	Acknowledge
NACK	Not acknowledge
CRC8	Cyclic redundancy check (CRC)

Figure 7: Write and read operations of the sensor

All communication on the I²C bus begins with a start condition (S) and ends with a stop condition (P). The start condition initializes the communication, while the stop condition indicates the completion of a transfer. To interact with the sensor, the user must send its 7-bit I²C address followed by an eighth bit that specifies the communication direction and 8-bit command (please refer chapter 7). Setting the eighth bit to "0" denotes a write operation, while setting it to "1" indicates a read operation. For write transfers, a write header is sent to the sensor following its I²C address. The write header is followed by a command or instruction, which specifies the desired operation.

After the sensor completes the requested measurement, a read request can be issued. Upon receiving the read request, the sensor acknowledges it and prepares to transmit data. Upon acknowledgement of the read request, the sensor starts transmitting data over the I²C bus. The user can receive this data. It is important to note that the sensor allows the data to be received only once. The sensor transmits humidity and temperature data in a consistent format. Each data transmission includes two values. The first value represents the temperature signal and consists of two sets of 8-bit data, followed by an 8-bit CRC (Cyclic Redundancy Check) for error detection. The second value represents the humidity signal and follows the same format, including two sets of 8-bit data and an 8-bit CRC.

Once the first acknowledged I²C read header is sent, the measurement data is deleted from the sensor's register. The sensor does not support clock stretching. If the sensor is busy performing tasks such as measurement or heating when it receives a read header, it will return a not acknowledge (NACK) response. This indicates that the sensor is not ready to transmit data at that time.

6.4 Checksum Calculation

In read operation each 16-bit data is followed by a checksum with following properties. The master may abort a read transfer after the 16-bit data if it does not require a checksum.

Property	Value
Name	CRC-8
Message Length	16-bit
Polynomial	0x31 (x + x ⁵ + x ⁴ + 1)
Initialization	0xFF
Reflect Input/Output	false/false
Final XOR	0x00
Examples	CRC(0xBEEF) = 0x92

Table 9: Data checksum properties

6.5 I²C timing parameters

Parameter	Symbol	Standard mode		Fast mode		Fast mode plus		Unit
		Min	Max	Min	Max	Min	Max	
SCL clock frequency	f _{SCL}	0	100	0	400	0	1000	kHz
LOW period for SCL clock	t _{LOW_SCL}	4.7	-	1.3		0.5	-	μs
HIGH period for SCL clock	t _{HIGH_SCL}	4.0	-	0.6	-	0.26	-	μs
Hold time for START condition	t _{HD_S}	4	-	0.6	-	0.26	-	μs
Setup time for (repeated) START condition	f _{SCL}	4.7	-	0.6	400	0.26	-	μs
SDA setup time	t _{SU_SDA}	250	-	100	-	50	-	ns
SDA data hold time	t _{HD_SDA}	0	3.45	0	0.9	0	-	μs
Setup time for STOP condition	t _{SU_P}	4	-	0.6	-	0.26	-	μs
Bus free time between STOP and START condition	t _{BUF}	4.7	-	1.3	-	0.5	-	μs

 Table 10: I²C timing parameters

7 Command description

7.1 Measure temperature and relative humidity

The commands listed in Table 11 can be utilized to obtain readings of relative humidity and temperature from the sensors.

Command (hex)	Description
0xFD	High precise measurements of temperature and relative humidity (high repeatability). It maintains an average current consumption of 2.2 μA during continuous operation, with one measurement per second. The data format consists of 2 bytes for temperature, followed by an 8-bit CRC, and then 2 bytes for relative humidity with another 8-bit CRC.
0xF6	Medium precise measurements of temperature and relative humidity (medium repeatability). It maintains an average current consumption of 1.2 μA during continuous operation, with one measurement per second. The data format consists of 2 bytes for temperature, followed by an 8-bit CRC, and then 2 bytes for relative humidity with another 8-bit CRC.
0xE0	Low precise measurements of temperature and relative humidity (low repeatability). It maintains an average current consumption of 0.4 μA during continuous operation, with one measurement per second. The data format consists of 2 bytes for temperature, followed by an 8-bit CRC, and then 2 bytes for relative humidity with another 8-bit CRC.

Table 11: Command overview to measure temperature and relative humidity

7.1.1 Conversion of sensor signals

The digital sensor signals correspond to the following humidity and temperature values:

$$RH = \left(-6 + \frac{125 * SRH}{2^{16} - 1}\right) \%RH \quad (1)$$

$$T = \left(-45 + \frac{175 * ST}{2^{16} - 1}\right) ^\circ C \quad (2)$$

$$T = \left(-49 + \frac{315 * ST}{2^{16} - 1}\right) ^\circ F \quad (3)$$

Note: Equation (1) allows reporting of RH values outside the range of 0%RH to 100%RH. However, these values may be non-physical and it is advised to crop the RH signal to the range of 0%RH to 100%RH, unless specific boundary measurements or other purposes require the full range.

7.2 Operating heater

The sensor features an integrated on-package heater that can be activated using a series of commands specified in Table 12 . The heater can eliminate condensed water on the sensor surface, preventing it from interfering with the sensor’s ability to detect and respond to changes in relative humidity in the surrounding air.

Command (hex)	Description
0x39	Activate the heater at 200mW for 1 second and perform a high precision measurement before turning it off. The data format consists of 2 bytes for temperature, followed by an 8-bit CRC, and then 2 bytes for relative humidity with another 8-bit CRC.
0x32	Activate the heater at 200mW for 0.1 second and perform a high precision measurement before turning it off. The data format consists of 2 bytes for temperature, followed by an 8-bit CRC, and then 2 bytes for relative humidity with another 8-bit CRC.
0x2F	Activate the heater at 110mW for 1 second and perform a high precision measurement before turning it off. The data format consists of 2 bytes for temperature, followed by an 8-bit CRC, and then 2 bytes for relative humidity with another 8-bit CRC.
0x24	Activate the heater at 110mW for 0.1 second and perform a high precision measurement before turning it off. The data format consists of 2 bytes for temperature, followed by an 8-bit CRC, and then 2 bytes for relative humidity with another 8-bit CRC.
0x1E	Activate the heater at 20mW for 1 second and perform a high precision measurement before turning it off. The data format consists of 2 bytes for temperature, followed by an 8-bit CRC, and then 2 bytes for relative humidity with another 8-bit CRC.
0x15	Activate the heater at 20mW for 0.1 second and perform a high precision measurement before turning it off. The data format consists of 2 bytes for temperature, followed by an 8-bit CRC, and then 2 bytes for relative humidity with another 8-bit CRC.

Table 12: Command overview of different heater operations

7.2.1 Important considerations for operating the heater

- The heater’s duty cycle should not exceed 10 % of the sensor’s lifetime.
- During heater operation, the sensor’s specifications are not valid.
- Thermal stress may affect the temperature sensor, causing offset in temperature readings.
- The sensor’s temperature (including heater contribution) must not exceed maximum operating temperature ($T_{RANGE_MAX} = 125^{\circ}C$) for proper electrical functionality.

- The heater draws high current (up to $\sim 75\text{mA}$), so ensure a strong power supply to avoid voltage drops and sensor resets.
- For higher heating temperatures, send consecutive heating commands. However, the sensor's temperature (including the heater contribution) must stay within in the sensor's maximum operating temperature to avoid sensor offset drifts.

7.3 Serial number of the sensor

Every sensor is assigned a unique serial number during manufacturing, which is stored in non-modifiable memory. To retrieve the serial number, use the I²C command 0x89. The serial number is transmitted as two 16-bit words, with each word accompanied by an 8-bit cyclic redundancy check (CRC).

Command (hex)	Description
0x89	Read the serial number. The data format consists of 2 bytes for data, followed by an 8-bit CRC, and then 2 bytes for data with another 8-bit CRC.

Table 13: Command overview to read the serial number

7.4 Reset of the sensor

Command (hex)	Description
0x94	Perform a soft reset. Upon successful execution, an acknowledgement ([ACK]) response is expected.

Table 14: Command overview for reset of the sensor

8 Physical specifications

8.1 Module drawing

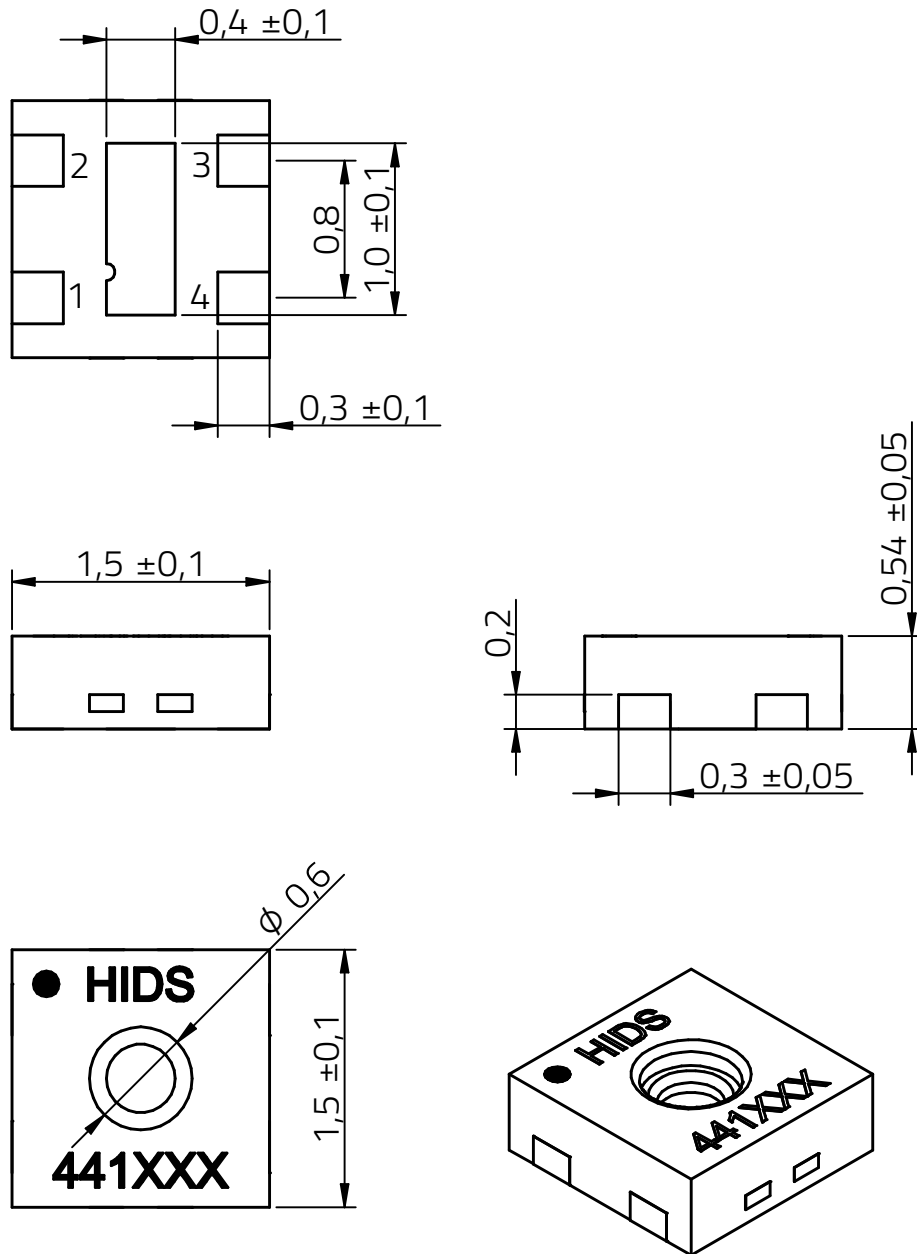


Figure 8: Sensor dimension [mm]

8.2 Footprint

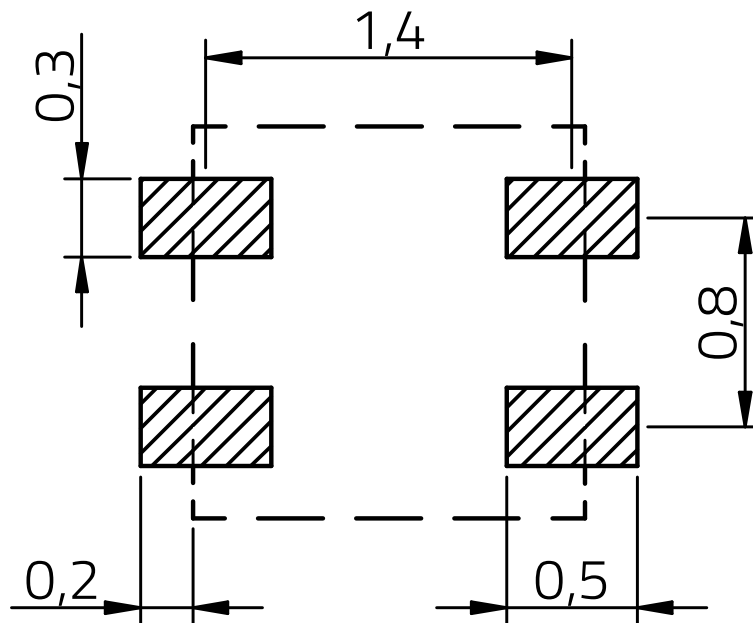


Figure 9: Recommended land pattern [mm] (top view)



In order to enhance heat dissipation during heater operations, it is recommended not to solder the central die pad.

9 MEMS Sensor PCB Design Guidelines

The following design guidelines for PCB, soldering, solder paste, stencil and re-flow process must be considered as a good hardware design practice for Würth Elektronik eiSos MEMS sensor products. Not following these guidelines will result in poor performance from the Würth Elektronik eiSos MEMS Sensors. e.g. offset, offset vs temperature, accuracy and accuracy vs temperature.

9.1 PCB Design rules

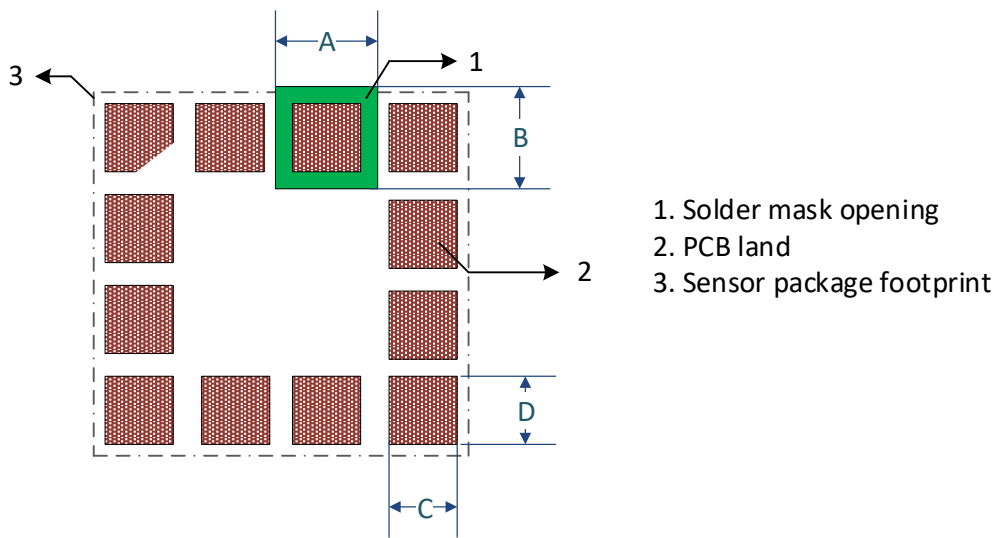


Figure 10: PCB land and solder mask recommendations for sensors with LGA package

Dimension	LGA pad spacing > 200 µm	LGA pad spacing ≤ 200 µm
PCB land width: C	LGA solder pad width + 0.1 mm	LGA solder pad width
PCB land length: D	LGA solder pad length + 0.1 mm	LGA solder pad length

Table 15: PCB land design dimensions

Dimension	Description
Solder mask opening width: A	PCB land length + 0.1 mm
Solder mask opening length: B (when applicable)	PCB land length + 0.1 mm

Table 16: Solder mask opening dimensions



Any structure underneath the sensor should be avoided

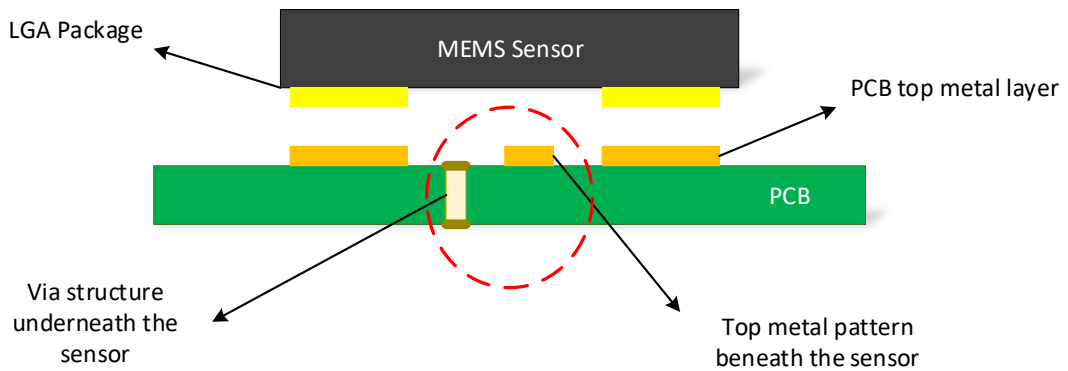


Figure 11: Incorrect PCB design

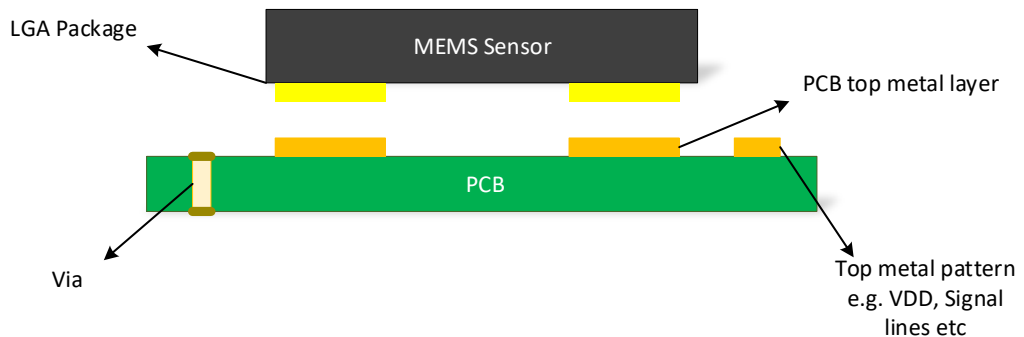


Figure 12: Correct PCB design



Placing any Screw mounting holes, vias and components at a distance greater than 1.5mm away from the sensor is highly recommended to get optimal performance of the sensor.

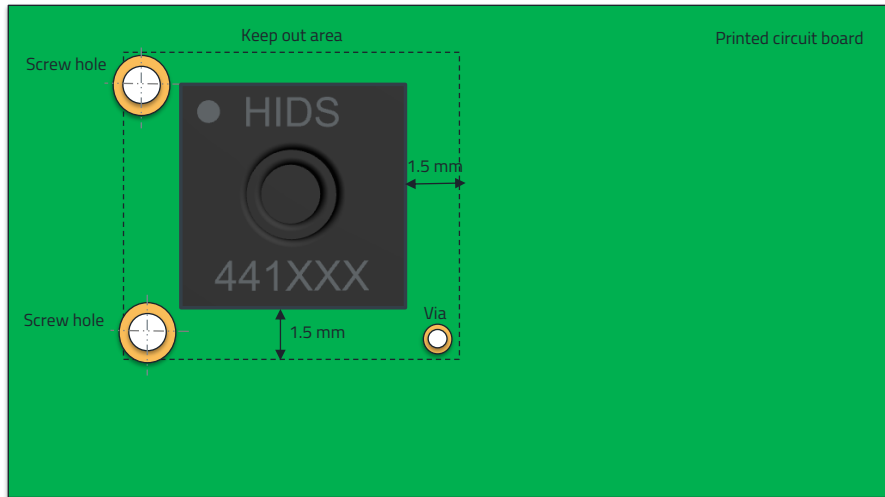


Figure 13: Components inside sensor keep out area

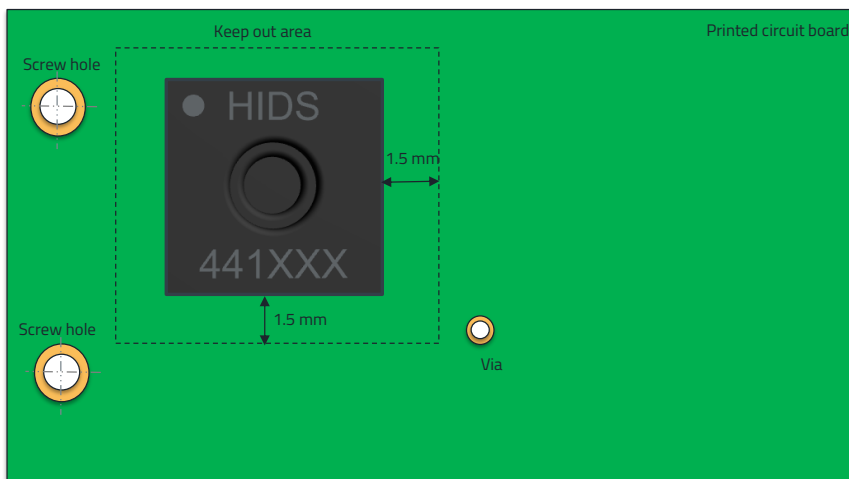


Figure 14: Components outside sensor keep out area



In order to improve the sensor thermal decoupling from the system/PCB, it is recommended to have thermal cut around the sensor which removes all unnecessary metal from the PCB around the sensor.

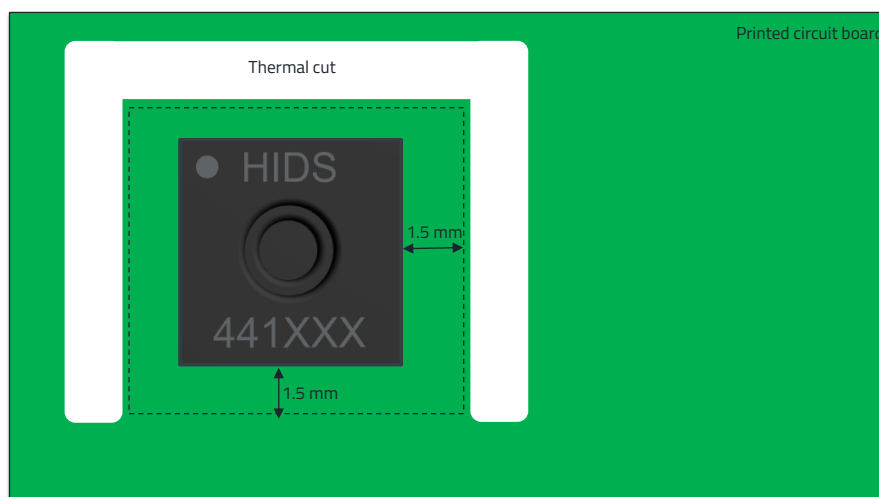


Figure 15: Thermal cut around the sensor

9.2 Guidelines for PCB Design

- The solder mask opening external to the PCB land is highly recommended. Please refer to figure 10.
- It is recommended to define a keep-out area for the sensor. Any structure underneath the sensor should be avoided.
- The traces connected to the pads should be as symmetrical as possible. Symmetry and balance to the pad connections will help the sensor self-align which leads to better control of solder paste reduction after reflow.
- Screw mounting holes at a distance greater than 2mm from the sensor is highly recommended to get optimal performance of the sensor.
- We recommend to separate digital ground from analog ground in the PCB, if enough space or layer is available. The relatively large, sharp pulses of digital current transitions might affect the precise analog signals if the two signals are not separated.
- Copper planes/traces underneath the sensor shall be avoided to improve thermal isolation. Although ground planes are normally advisable for a good EMC performance, placing them underneath the sensor deteriorates the thermal isolation.



It is generally recommended to reduce the PCB thickness (e.g. ≤ 1.6 mm).
Intrinsic stress during PCB bending is less in thin PCBs

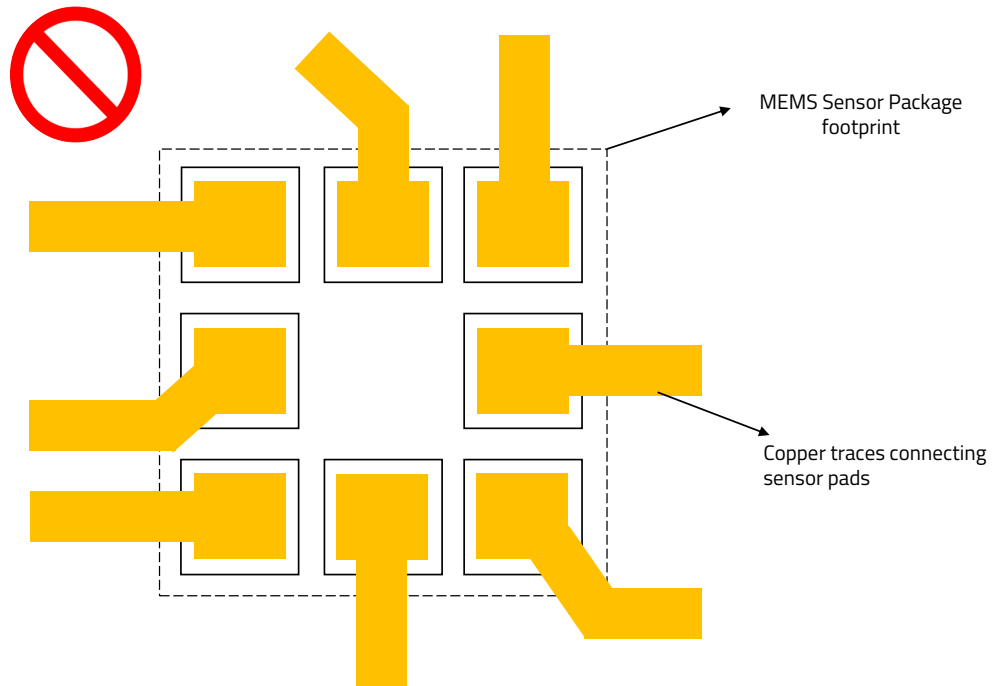


Figure 16: Asymmetrical trace and sensor pad connections



Information of the PCB design and soldering processes provided in this document is considered for use as a reference.



PCB land design and connecting traces should be designed symmetrically

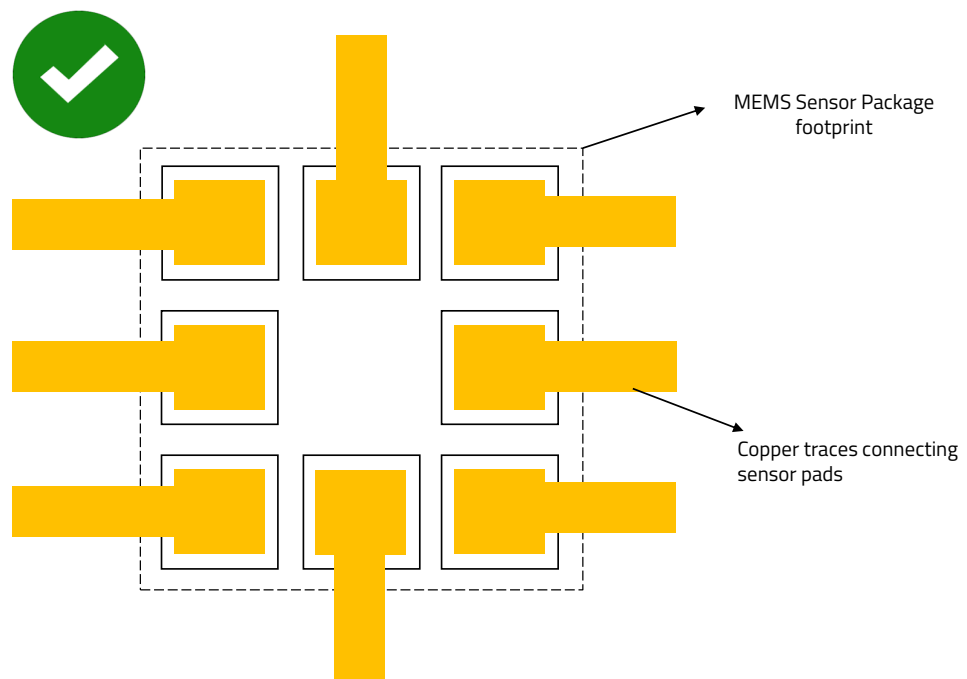


Figure 17: Symmetrical trace and sensor pad connections

9.3 Guidelines for soldering

The following soldering guidelines should be taken into consideration for a common PCB design and industrial practices.

9.3.1 Before soldering

- Routing traces and vias below the sensor should be avoided. The active signals that are routed under may interfere with the MEMS sensor, which will affect the sensor performance.
- It is not necessary to have large traces on VDD/GND line, as the power consumption of the MEMS sensors are very low.
- The placement of the MEMS sensor on the PCB should avoid locations in close proximity to heat sources e.g. microprocessors, batteries, graphic controllers etc.
- Push-buttons, screws and PCB anchor points can produce mechanical stress onto the PCB, hence the sensor placement close to these components should be avoided.
- PCB bending will induce mechanical stress to the sensor therewith influence the sensor performance.

9.3.2 After soldering

- In general, high-amplitude resonant vibrations of the PCB should be avoided. It could possibly damage the MEMS structure.
- The thickness of solder paster must be uniform to reduce the inconsistent stress on the sensor.
- Solder paste must be as thick as possible to reduce the decoupling stress and to avoid the PCB solder mask touching the device package.

9.4 Guidelines for stencil design and solder paste

For proper mounting process of the MEMS sensor, thickness and soldering paste pattern are very important.

- Stencil thickness of 90 - 150 μm (3.5 - 6 mils) is recommended for screen printing.
- Stainless steel stencils are recommended for solder paste application.
- The signal pad openings of the stencil should be between 70% and 90% of the PCB pad area.
- It is recommended that for better solder paste release, the aperture walls should be trapezoidal and the corners rounded.
- The stencil and printed circuit assembly should be aligned to within 25 μm (1 mil) before applying the solder paste.

9.5 Guidelines for process considerations

- To reduce the residual stress on the components, the recommended ramp-down temperature slope should not exceed -3°C/s .
- LGA packages show metal traces on the side of the package, hence no solder material reflow on the side of the package is allowed.
- The final volume of the solder paste applied to a single PCB land should be less than 20% of the volume of the solder paste of all pads of one device.
- It is not possible to define a specific soldering profile only for the sensors. The soldering profile depends on the number, size and placement of the components in the application board.
- Customer should use a time and temperature reflow profile based on PCB design and manufacturing knowledge.
- No-clean solder paste is recommended for assembly of the MEMS sensor to prevent further cleaning steps.
- Sensor with opening surface on top should be handled carefully. Do not pick the component with vacuum tools which make direct contact with the opening of the sensor.



It is recommended to use a standard pick and place process and equipment. Do not use the hand soldering process.

10 Manufacturing information

10.1 Moisture sensitivity level

The sensor product is categorized as JEDEC Moisture Sensitivity Level 1 (MSL1), which requires special handling.

More information regarding the MSL requirements can be found in the IPC/JEDEC J-STD-020 standard on www.jedec.org. More information about the handling, picking, shipping and the usage of moisture/re-flow and/or process sensitive products can be found in the IPC/JEDEC J-STD-033 standard on www.jedec.org.

10.2 Soldering

10.2.1 Reflow soldering

Attention must be paid on the thickness of the solder resist between the host PCB top side and the modules bottom side. Only lead-free assembly is recommended according to JEDEC J-STD020.

Profile feature		Value
Preheat temperature Min	$T_{S \text{ Min}}$	150 °C
Preheat temperature Max	$T_{S \text{ Max}}$	200 °C
Preheat time from $T_{S \text{ Min}}$ to $T_{S \text{ Max}}$	t_s	60 - 120 seconds
Ramp-up rate (T_L to T_P)		3 °C / second max.
Liquidous temperature	T_L	217 °C
Time t_L maintained above T_L	t_L	60 - 150 seconds
Peak package body temperature	T_P	≤ 260 °C
Time within 5 °C of actual peak temperature	t_p	20 - 30 seconds
Ramp-down Rate (T_P to T_L)		6 °C / second max.
Time 20 °C to T_P		8 minutes max.

Table 17: Classification reflow soldering profile, Note: refer to IPC/JEDEC J-STD-020E

It is recommended to solder the sensor on the last re-flow cycle of the PCB. For solder paste use a LFM-48W or Indium based SAC 305 alloy (Sn 96.5 / Ag 3.0 / Cu 0.5 / Indium 8.9HF / Type 3 / 89%) type 3 or higher.

The reflow profile must be adjusted based on the thermal mass of the entire populated PCB, heat transfer efficiency of the reflow oven and the specific type of solder paste used. Based on the specific process and PCB layout the optimal soldering profile must be adjusted and verified. Other soldering methods (e.g. vapor phase) have not been verified and have to be validated by the customer at their own risk. Rework is not recommended.

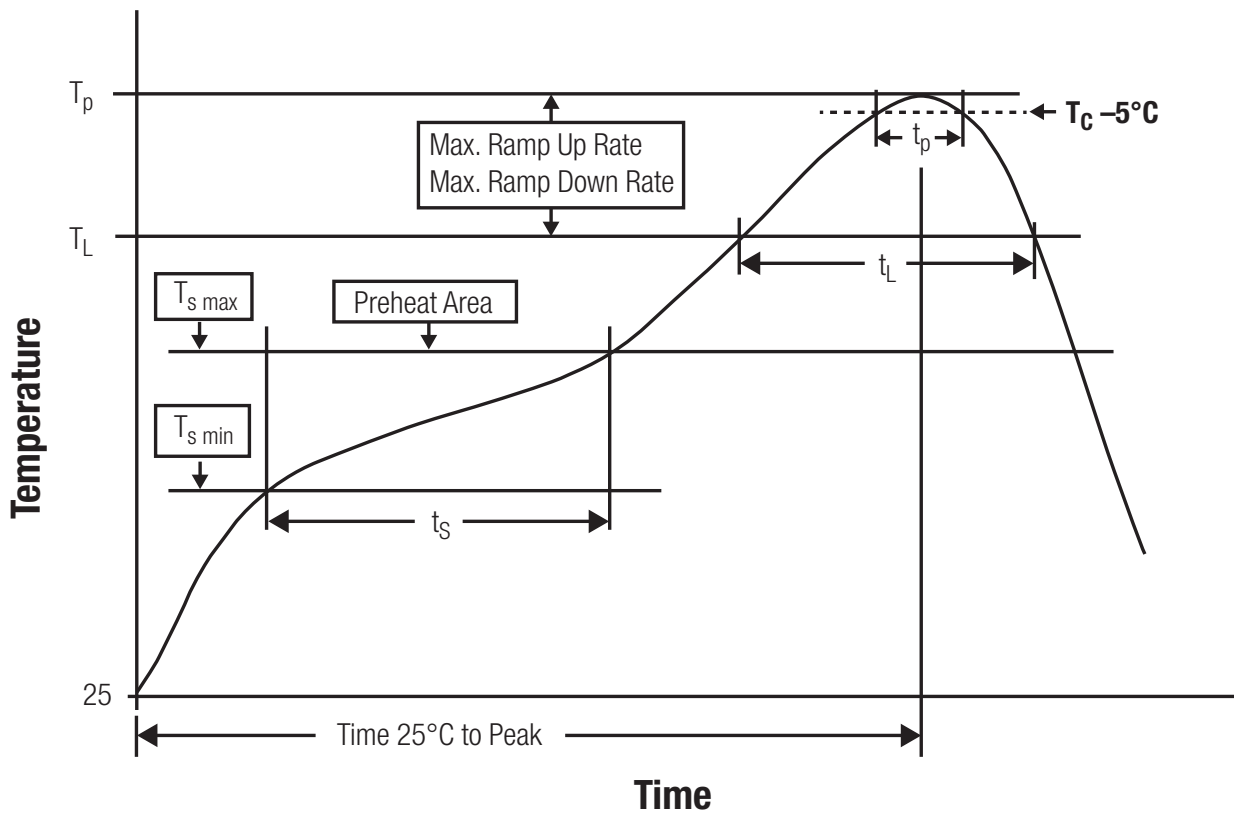


Figure 18: Reflow soldering profile

After reflow soldering, visually inspect the board to confirm proper alignment

10.2.2 Cleaning and washing

Do not clean the product. Any residue cannot be easily removed by washing. Use a "no clean" soldering paste and do not clean the board after soldering.

- Washing agents used during the production to clean the customer application might damage or change the characteristics of the component. Washing agents may have a negative effect on the long-term functionality of the product.
- Using a brush during the cleaning process may damage the component. Therefore, we do not recommend using a brush during the PCB cleaning process

10.2.3 Potting and coating

- Potting material might shrink or expand during and after hardening. This might apply mechanical stress on the components, which can influence the characteristics of the transfer function. In addition, potting material can close existing openings in the housing. This can lead to a malfunction of the component. Thus, potting is not recommended.

- Conformal coating may affect the product performance. We do not recommend coating the components.

10.2.4 Storage conditions

- A storage of Würth Elektronik eiSos products for longer than 12 months is not recommended. Within other effects, the terminals may suffer degradation, resulting in bad solderability. Therefore, all products shall be used within the period of 12 months based on the day of shipment.
- Do not expose the components to direct sunlight.
- The storage conditions in the original packaging are defined according to DIN EN 61760 - 2.
- For a moisture sensitive component, the storage condition in the original packaging is defined according to IPC/JEDEC-J-STD-033. It is also recommended to return the component to the original moisture proof bag and reseal the moisture proof bag again.

10.2.5 Handling

- Violation of the technical product specifications such as exceeding the nominal rated supply voltage, will void the warranty.
- Violation of the technical product specifications such as but not limited to exceeding the absolute maximum ratings will void the conformance to regulatory requirements.
- ESD prevention methods need to be followed for manual handling and processing by machinery.
- The edge castellation is designed and made for prototyping, i.e. hand soldering purposes only.
- The applicable country regulations and specific environmental regulations must be observed.
- Do not disassemble the product. Evidence of tampering will void the warranty.

11 Important notes

The following conditions apply to all goods within the wireless connectivity and sensors product range of Würth Elektronik eiSos GmbH & Co. KG:

General customer responsibility

Some goods within the product range of Würth Elektronik eiSos GmbH & Co. KG contain statements regarding general suitability for certain application areas. These statements about suitability are based on our knowledge and experience of typical requirements concerning the areas, serve as general guidance and cannot be estimated as binding statements about the suitability for a customer application. The responsibility for the applicability and use in a particular customer design is always solely within the authority of the customer. Due to this fact, it is up to the customer to evaluate, where appropriate to investigate and to decide whether the device with the specific product characteristics described in the product specification is valid and suitable for the respective customer application or not. Accordingly, the customer is cautioned to verify that the documentation is current before placing orders.

Customer responsibility related to specific, in particular safety-relevant applications

It has to be clearly pointed out that the possibility of a malfunction of electronic components or failure before the end of the usual lifetime cannot be completely eliminated in the current state of the art, even if the products are operated within the range of the specifications. The same statement is valid for all software source code and firmware parts contained in or used with or for products in the wireless connectivity and sensor product range of Würth Elektronik eiSos GmbH & Co. KG. In certain customer applications requiring a high level of safety and especially in customer applications in which the malfunction or failure of an electronic component could endanger human life or health, it must be ensured by most advanced technological aid of suitable design of the customer application that no injury or damage is caused to third parties in the event of malfunction or failure of an electronic component.

Best care and attention

Any product-specific data sheets, manuals, application notes, PCNs, warnings and cautions must be strictly observed in the most recent versions and matching to the products revisions. These documents can be downloaded from the product specific sections on the wireless connectivity and sensors homepage.

Customer support for product specifications

Some products within the product range may contain substances, which are subject to restrictions in certain jurisdictions in order to serve specific technical requirements. Necessary information is available on request. In this case, the Business Development Engineer (BDM) or the internal sales person in charge should be contacted who will be happy to support in this matter.

Product improvements

Due to constant product improvement, product specifications may change from time to time. As a standard reporting procedure of the Product Change Notification (PCN) according to the JEDEC-Standard, we inform about major changes. In case of further queries regarding the PCN, the Business Development Engineer (BDM), the internal sales person or the technical support team in charge should be contacted. The basic responsibility of the customer as per section 11 and 11 remains unaffected.

All software like "wireless connectivity SDK", "Sensor SDK" or other source codes as well as all PC software tools are not subject to the Product Change Notification information process.

Product life cycle

Due to technical progress and economical evaluation, we also reserve the right to discontinue production and delivery of products. As a standard reporting procedure of the Product Termination Notification (PTN) according to the JEDEC-Standard we will inform at an early stage about inevitable product discontinuance. According to this, we cannot ensure that all products within our product range will always be available. Therefore, it needs to be verified with the Business Development Engineer (BDM) or the internal sales person in charge about the current product availability expectancy before or when the product for application design-in disposal is considered. The approach named above does not apply in the case of individual agreements deviating from the foregoing for customer-specific products.

Property rights

All the rights for contractual products produced by Würth Elektronik eiSos GmbH & Co. KG on the basis of ideas, development contracts as well as models or templates that are subject to copyright, patent or commercial protection supplied to the customer will remain with Würth Elektronik eiSos GmbH & Co. KG. Würth Elektronik eiSos GmbH & Co. KG does not warrant or represent that any license, either expressed or implied, is granted under any patent right, copyright, mask work right, or other intellectual property right relating to any combination, application, or process in which Würth Elektronik eiSos GmbH & Co. KG components or services are used.

General terms and conditions

Unless otherwise agreed in individual contracts, all orders are subject to the current version of the "General Terms and Conditions of Würth Elektronik eiSos Group", last version available at www.we-online.com.

12 Legal notice

Exclusion of liability

Würth Elektronik eiSos GmbH & Co. KG considers the information in this document to be correct at the time of publication. However, Würth Elektronik eiSos GmbH & Co. KG reserves the right to modify the information such as technical specifications or functions of its products or discontinue the production of these products or the support of one of these products without any written announcement or notification to customers. The customer must make sure that the information used corresponds to the latest published information. Würth Elektronik eiSos GmbH & Co. KG does not assume any liability for the use of its products. Würth Elektronik eiSos GmbH & Co. KG does not grant licenses for its patent rights or for any other of its intellectual property rights or third-party rights.

Notwithstanding anything above, Würth Elektronik eiSos GmbH & Co. KG makes no representations and/or warranties of any kind for the

provided information related to their accuracy, correctness, completeness, usage of the products and/or usability for customer applications. Information published by Würth Elektronik eiSos GmbH & Co. KG regarding third-party products or services does not constitute a license to use such products or services or a warranty or endorsement thereof.

Suitability in customer applications

The customer bears the responsibility for compliance of systems or units, in which Würth Elektronik eiSos GmbH & Co. KG products are integrated, with applicable legal regulations. Customer acknowledges and agrees that it is solely responsible for compliance with all legal, regulatory and safety-related requirements concerning its products, and any use of Würth Elektronik eiSos GmbH & Co. KG components in its applications, notwithstanding any applications-related information or support that may be provided by Würth Elektronik eiSos GmbH & Co. KG. Customer represents and agrees that it has all the necessary expertise to create and implement safeguards which anticipate dangerous consequences of failures, monitor failures and their consequences lessen the likelihood of failures that might cause harm and take appropriate remedial actions. The customer will fully indemnify Würth Elektronik eiSos GmbH & Co. KG and its representatives against any damages arising out of the use of any Würth Elektronik eiSos GmbH & Co. KG components in safety-critical applications.

Trademarks

AMBER wireless is a registered trademark of Würth Elektronik eiSos GmbH & Co. KG. All other trademarks, registered trademarks, and product names are the exclusive property of the respective owners.

Usage restriction

Würth Elektronik eiSos GmbH & Co. KG products have been designed and developed for usage in general electronic equipment only. This product is not authorized for use in equipment where a higher safety standard and reliability standard is especially required or where a failure of the product is reasonably expected to cause severe personal injury or death, unless the parties have executed an agreement specifically governing such use. Moreover, Würth Elektronik eiSos GmbH & Co. KG products are neither designed nor intended for use in areas such as military, aerospace, aviation, nuclear control, submarine, transportation (automotive control, train control, ship control), transportation signal, disaster prevention, medical, public information network etc. Würth Elektronik eiSos GmbH & Co. KG must be informed about the intent of such usage before the design-in stage. In addition, sufficient reliability evaluation checks for safety must be performed on every electronic component, which is used in electrical circuits that require high safety and reliability function or performance. By using Würth Elektronik eiSos GmbH & Co. KG products, the customer agrees to these terms and conditions.

13 License terms for Würth Elektronik eiSos GmbH & Co. KG sensor product software and source code

These license terms will take effect upon the purchase and usage of the Würth Elektronik eiSos GmbH & Co. KG sensor products. You hereby agree that these license terms are applicable to the product and the incorporated software, firmware and source codes (collectively, "Software") made available by Würth Elektronik eiSos in any form, including but not limited to binary, executable or source code form. The software included in any Würth Elektronik eiSos sensor product is purchased to you on the condition that you accept the terms and conditions of these license terms. You agree to comply with all provisions under these license terms.

Limited license

Würth Elektronik eiSos hereby grants you a limited, non-exclusive, non-transferable and royalty-free license to use the software and under the conditions that will be set forth in these license terms. You are free to use the provided software only in connection with one of the products from Würth Elektronik eiSos to the extent described in these license terms.

You are entitled to change or alter the source code for the sole purpose of creating an application embedding the Würth Elektronik eiSos sensor product. The transfer of the source code to third parties is allowed to the sole extent that the source code is used by such third parties in connection with our product or another hardware provided by Würth Elektronik eiSos under strict adherence of these license terms. Würth Elektronik eiSos will not assume any liability for the usage of the incorporated software and the source code.

You are not entitled to transfer the source code in any form to third parties without prior written consent of Würth Elektronik eiSos.

You are not allowed to reproduce, translate, reverse engineer, decompile, disassemble or create derivative works of the incorporated software and the source code in whole or in part.

No more extensive rights to use and exploit the products are granted to you.

Usage and obligations

The responsibility for the applicability and use of the Würth Elektronik eiSos sensor product with the incorporated software in a particular customer design is always solely within the authority of the customer. Due to this fact, it is up to you to evaluate and investigate, where appropriate, and to decide whether the device with the specific product characteristics described in the product specification is valid and suitable for your respective application or not.

You are responsible for using the Würth Elektronik eiSos sensor product with the incorporated software in compliance with all applicable product liability and product safety laws. You acknowledge to minimize the risk of loss and harm to individuals and bear the risk for failure leading to personal injury or death due to your usage of the product.

Würth Elektronik eiSos' products are not authorized for use in safety-critical applications, or where a failure of the product is reasonably expected to cause severe personal injury or death. Moreover, Würth Elektronik eiSos' products are neither designed nor intended for use in areas such as military, aerospace, aviation, nuclear control, submarine, transportation (automotive control, train control, ship control), transportation signal, disaster prevention, medical, public information network etc. You shall inform Würth Elektronik eiSos about the intent of such usage before design-in stage. In certain customer applications requiring a very high level of safety and in which the malfunction or failure of an electronic component could endanger human life or health, you must ensure to have all necessary expertise in the safety and regulatory ramifications of your applications. You acknowledge and agree that you are solely responsible for all legal, regulatory and safety-related requirements concerning your products and any use of Würth Elektronik eiSos' products in such safety-critical applications, notwithstanding any applications-related

information or support that may be provided by Würth Elektronik eiSos. YOU SHALL INDEMNIFY WÜRTH ELEKTRONIK EISOS AGAINST ANY DAMAGES ARISING OUT OF THE USE OF WÜRTH ELEKTRONIK EISOS' PRODUCTS IN SUCH SAFETY-CRITICAL APPLICATIONS.

Ownership

The incorporated software created by Würth Elektronik eiSos is and will remain the exclusive property of Würth Elektronik eiSos.

Disclaimer of warranty

THE SOFTWARE AND IT'S SOURCE CODE IS PROVIDED "AS IS". YOU ACKNOWLEDGE THAT WÜRTH ELEKTRONIK EISOS MAKES NO REPRESENTATIONS AND WARRANTIES OF ANY KIND RELATED TO, BUT NOT LIMITED TO THE NON-INFRINGEMENT OF THIRD PARTIES' INTELLECTUAL PROPERTY RIGHTS OR THE MERCHANTABILITY OR FITNESS FOR YOUR INTENDED PURPOSE OR USAGE. WÜRTH ELEKTRONIK EISOS DOES NOT WARRANT OR REPRESENT THAT ANY LICENSE, EITHER EXPRESS OR IMPLIED, IS GRANTED UNDER ANY PATENT RIGHT, COPYRIGHT, MASK WORK RIGHT, OR OTHER INTELLECTUAL PROPERTY RIGHT RELATING TO ANY COMBINATION, MACHINE, OR PROCESS IN WHICH THE WÜRTH ELEKTRONIK EISOS' PRODUCT WITH THE INCORPORATED SOFTWARE IS USED. INFORMATION PUBLISHED BY WÜRTH ELEKTRONIK EISOS REGARDING THIRD-PARTY PRODUCTS OR SERVICES DOES NOT CONSTITUTE A LICENSE FROM WÜRTH ELEKTRONIK EISOS TO USE SUCH PRODUCTS OR SERVICES OR A WARRANTY OR ENDORSEMENT THEREOF.

Limitation of liability

Any liability not expressly provided by Würth Elektronik eiSos shall be disclaimed.

You agree to hold us harmless from any third-party claims related to your usage of the Würth Elektronik eiSos' products with the incorporated software and source code. Würth Elektronik eiSos disclaims any liability for any alteration, development created by you or your customers as well as for any combination with other products.

Applicable law and jurisdiction

Applicable law to these license terms shall be the laws of the Federal Republic of Germany. Any dispute, claim or controversy arising out of or relating to these license terms shall be resolved and finally settled by the court competent for the location of Würth Elektronik eiSos registered office.

Severability clause

If a provision of these license terms is or becomes invalid, unenforceable or null and void, this shall not affect the remaining provisions of the terms. The parties shall replace any such provisions with new valid provisions that most closely approximate the purpose of the terms.

Miscellaneous

Würth Elektronik eiSos reserves the right at any time to change this terms at its own discretion. It is your responsibility to check at Würth Elektronik eiSos homepage for any updates. Your continued usage of the products will be deemed as the acceptance of the change.

We recommend you to be updated about the status of new software, which is available on our website or in our data sheet, and to implement new software in your device where appropriate.

By ordering a product, you accept these license terms in all terms.

List of Figures

1	Block diagram	6
2	Pinout (top view)	12
3	Electrical connection	13
4	Master-slave concept	14
5	Data validity, START and STOP condition	15
6	Slave address format	16
7	Write and read operations of the sensor	17
8	Sensor dimension [mm]	23
9	Recommended land pattern [mm] (top view)	24
10	PCB land and solder mask recommendations for sensors with LGA package	25
11	Incorrect PCB design	26
12	Correct PCB design	26
13	Components inside sensor keep out area	27
14	Components outside sensor keep out area	27
15	Thermal cut around the sensor	28
16	Asymmetrical trace and sensor pad connections	29
17	Symmetrical trace and sensor pad connections	30
18	Reflow soldering profile	34

List of Tables

1	Ordering information	6
2	Humidity sensor specification	8
3	Temperature sensor specification	9
4	Electrical specification	10
5	Timing information	11
6	Absolute maximum rating	11
7	General information	11
8	Pin description	12
9	Data checksum properties	18
10	I ² C timing parameters	19
11	Command overview to measure temperature and relative humidity	20
12	Command overview of different heater operations	21
13	Command overview to read the serial number	22
14	Command overview for reset of the sensor	22
15	PCB land design dimensions	25
16	Solder mask opening dimensions	25
17	Classification reflow soldering profile, Note: refer to IPC/JEDEC J-STD-020E	33



Contact

Würth Elektronik eiSos GmbH & Co. KG
Division Wireless Connectivity & Sensors

Max-Eyth-Straße 1
74638 Waldenburg
Germany

Tel.: +49 651 99355-0
Fax.: +49 651 99355-69
www.we-online.com/wireless-connectivity

WÜRTH ELEKTRONIK MORE THAN YOU EXPECT