

EMC FILTERS



Single-Stage-Advanced

Easy to use fast-on connectors

Perfectly shielded

Amazing size-current ratio (current capabilities)

Perfect ground connection

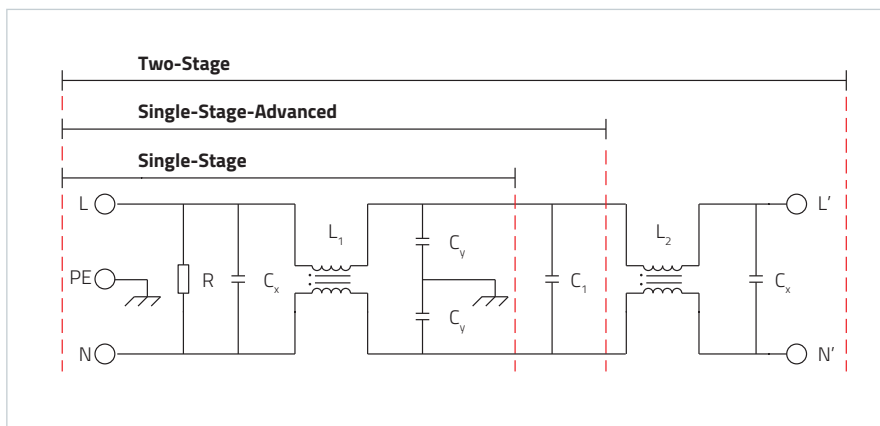
High performance filter inside

Single-Stage

Two-Stage

3 different sizes

Certifications



Discharge Resistor R:

Discharge of capacitors. Important safety standards

Common Mode Choke L:

High common and partly differential mode attenuation, without deriving any leakage current to ground

X-Capacitor C_x:

Increase the differential mode attenuation

Y-Capacitor C_y:

Strongly increases common and partly differential mode attenuation, driving some leakage current to ground

Additionally available

Spice models: Real simulation due to measured data (s-parameter) not a simulation of the single components.

More information about WE-CLFS: www.we-online.com/we-clfs



Compare our EMC filters in REDEXPERT: www.we-online.com/redexpert-emc-filters

