

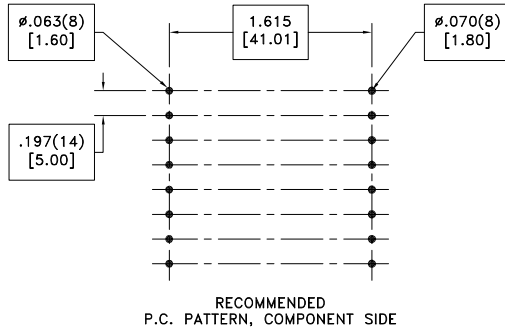
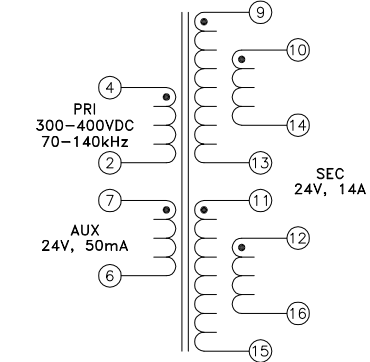
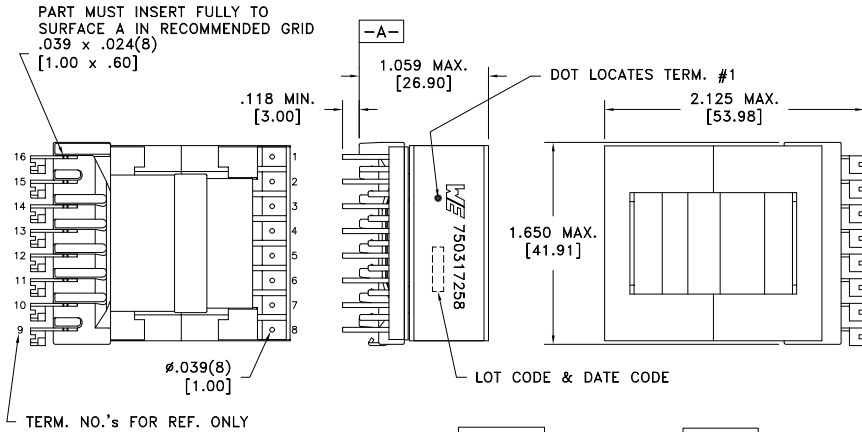
CUSTOMER TERMINAL	RoHS	LEAD(Pb)-FREE
Sn96%, Ag4%	Yes	Yes

more than you expect



ELECTRICAL SPECIFICATIONS @ 25°C unless otherwise noted:

PARAMETER	TEST CONDITIONS	VALUE
D.C. RESISTANCE	4-2 @20°C	0.126 ohms ±10%
D.C. RESISTANCE	7-6 @20°C	0.188 ohms ±10%
D.C. RESISTANCE	9-14 tie(9+10, 13+14), @20°C	0.008 ohms max.
D.C. RESISTANCE	11-16 tie(11+12, 15+16), @20°C	0.008 ohms max.
INDUCTANCE	4-2 10kHz, 100mVAC, Ls	490uH ±10%
SATURATION CURRENT	4-2 20% rolloff from initial	5.0A
LEAKAGE INDUCTANCE	4-2 tie(6+7, 9+10+11+12+13+14+15+16), 100kHz, 100mVAC, Ls	90.0uH ±12%
DIELECTRIC	2-16 tie(2+7, 13+14+15+16), 3750VAC, 1 second	3000VAC, 1 minute
TURNS RATIO	(4-2):(7-6)	8.75:1, ±2%
TURNS RATIO	(4-2):(9-14), tie(9+10, 13+14)	8.75:1, ±2%
TURNS RATIO	(4-2):(11-16), tie(11+12, 15+16)	8.75:1, ±2%



Customer to tie terminals 9+10, 11+12+13+14 and 15+16 on PC board.
Application of the transformer allows for the leadwires between terminals 9&10, 11&12&13&14 and 15&16 to solder bridge.

GENERAL SPECIFICATIONS:

OPERATING TEMPERATURE RANGE: -40°C to +125°C including temp rise.

Designed to comply with the following requirements as defined by IEC60950-1, EN60950-1, UL60950-1/CSA60950-1 and AS/NZS60950.1:
- Reinforced insulation for a primary circuit at a working voltage of 265Vrms, 400Vpeak, Overvoltage Category II.

Wire insulation & RoHS status not affected by wire color.
Wire insulation color may vary depending on availability.

REV.	DATE	Packaging Specifications Method: Tray PKG-1107 www.we-online.com/midcom		Tolerances unless otherwise specified: Angles: ±1° Fractions: ±1/64 Decimals: ±.005 [.13] Footprint: ±.001 [.03]	DRAWING TITLE TRANSFORMER	PART NO. 750317258
6A	12/18	SEE REVISION SHEET FOR REVISION LEVEL		This drawing is dual dimensioned. Dimensions in brackets are in millimeters.	eiSos p/n: 750317258	SPECIFICATION SHEET 1 OF 1